

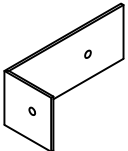
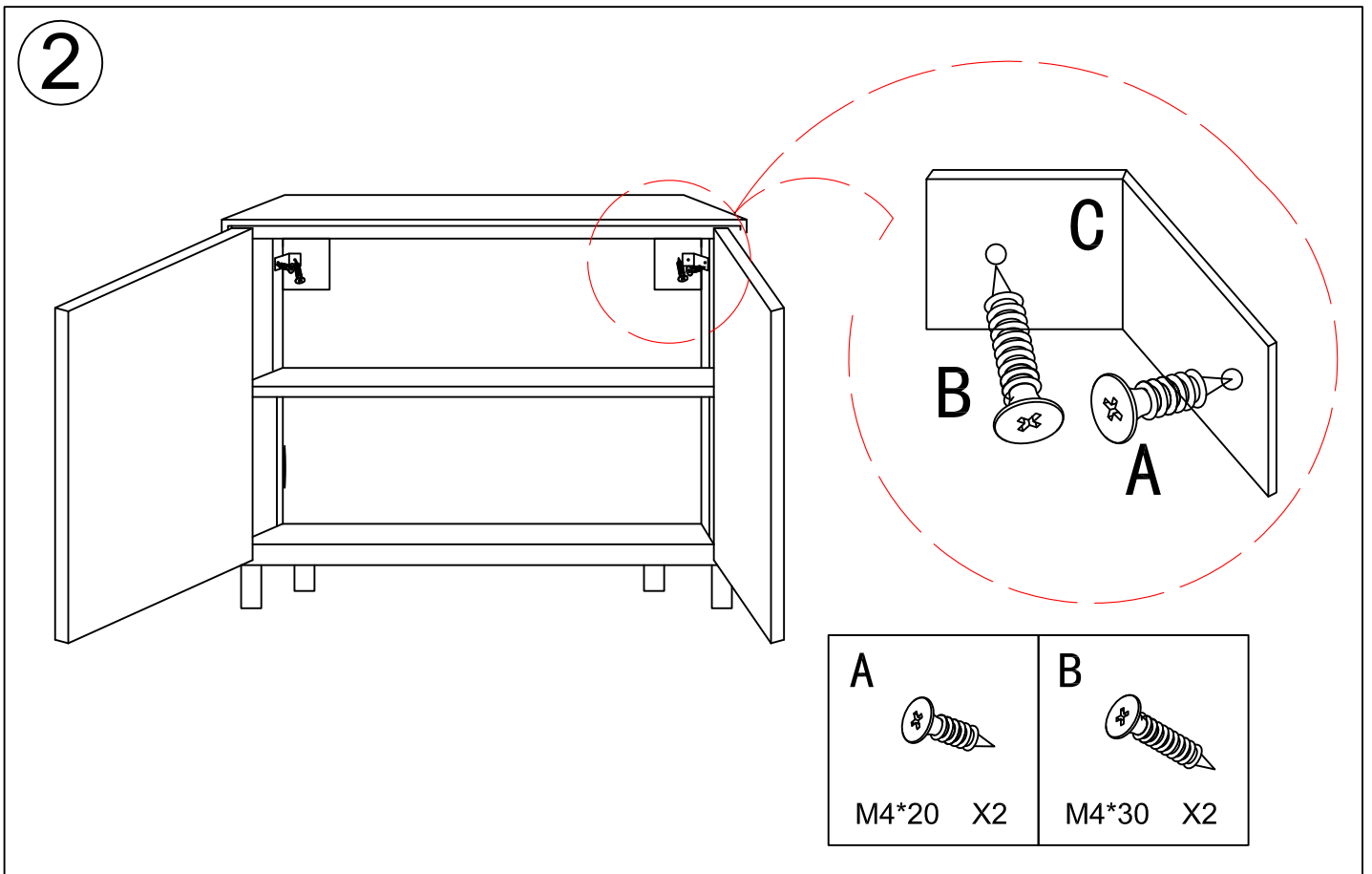
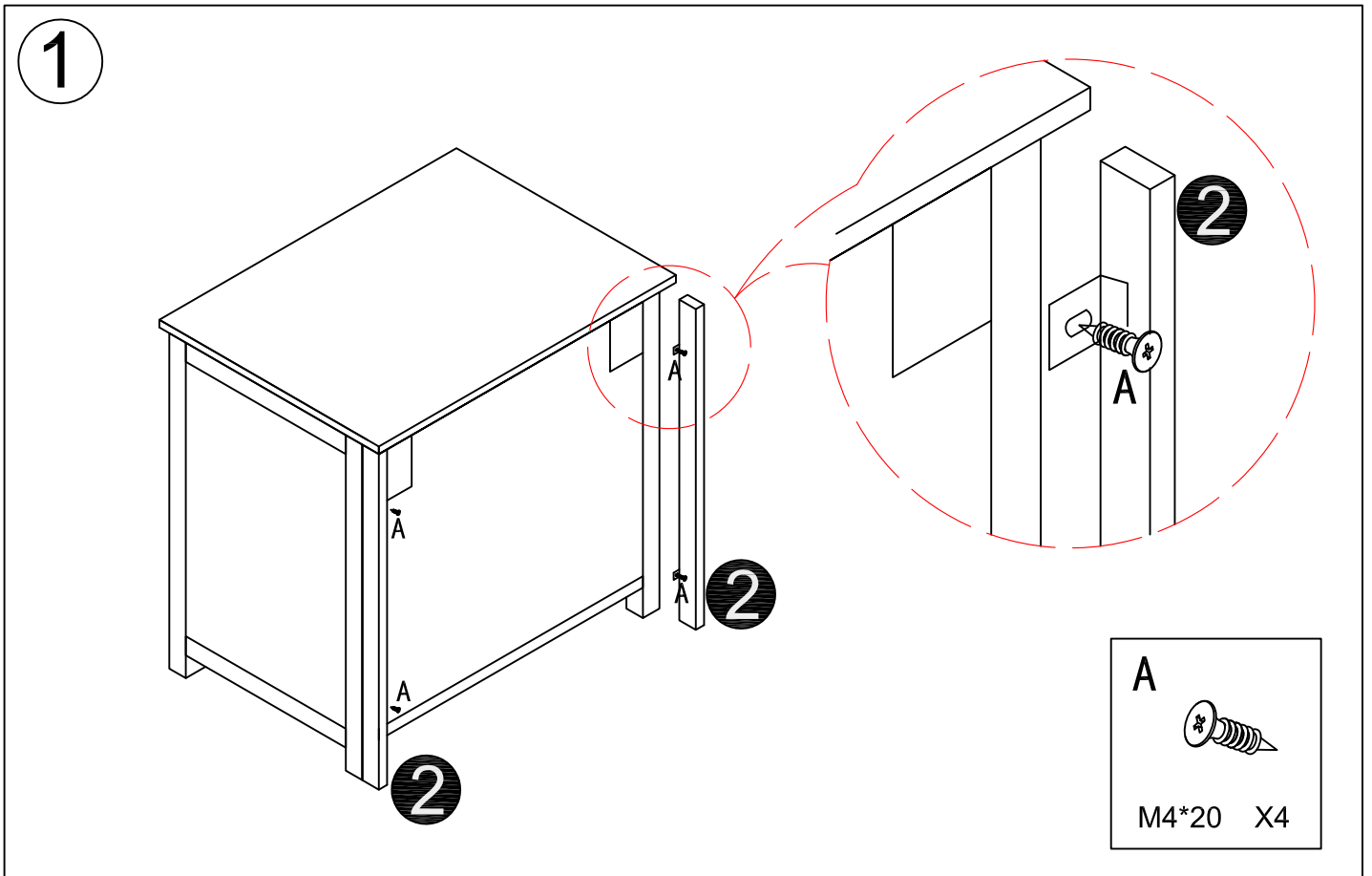


A  M4*20 X6	B  M4*30 X2	C  100*40*30 X2
---	---	---



3

