

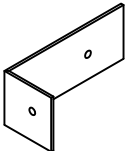
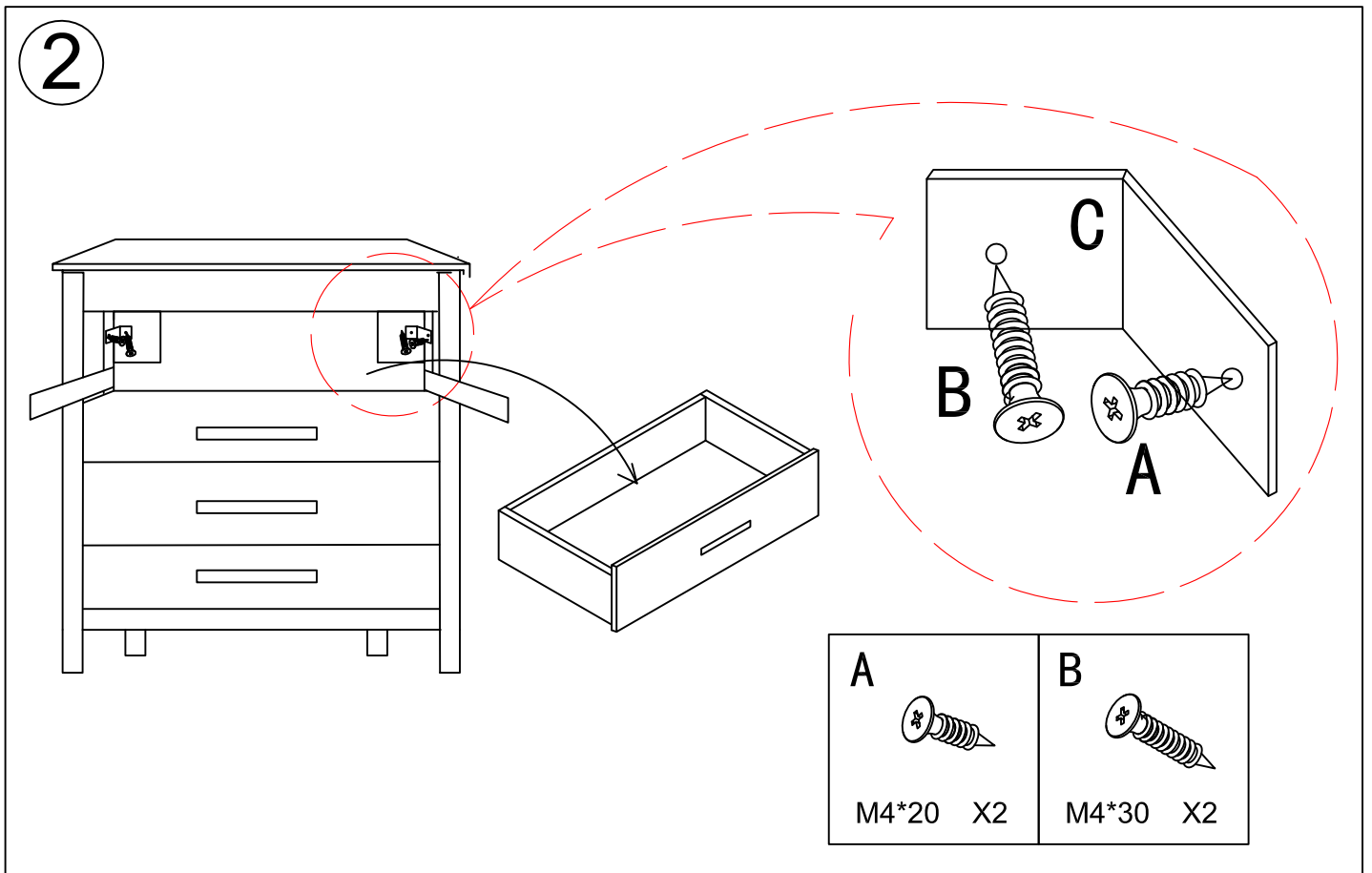
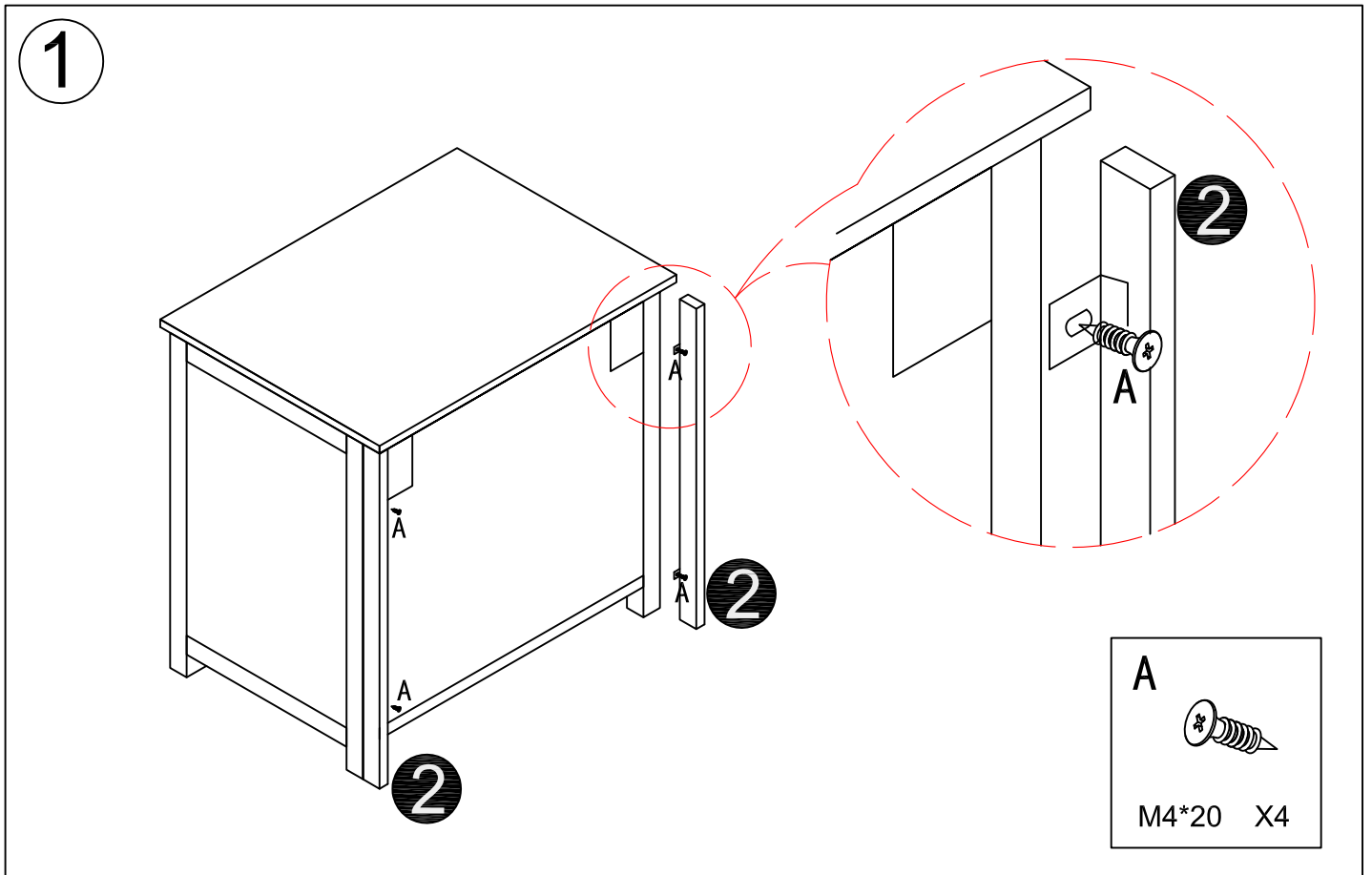


<p>A</p>  <p>M4*20 X6</p>	<p>B</p>  <p>M4*30 X2</p>	<p>C</p>  <p>100*40*30 X2</p>
---	---	---



3

