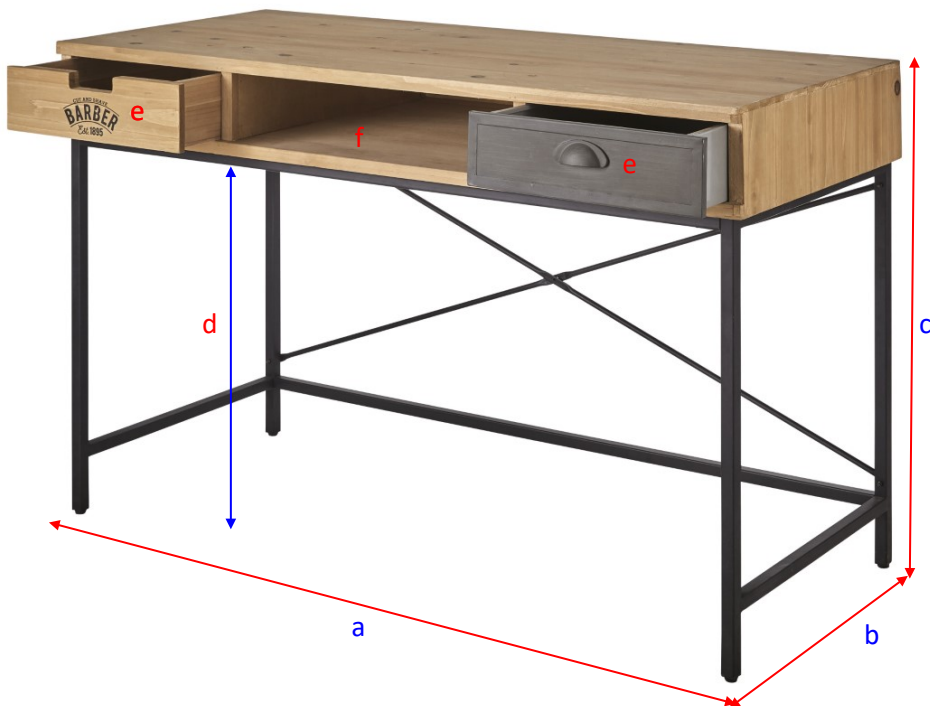
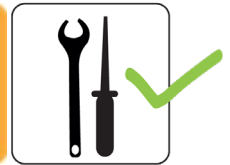
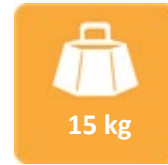


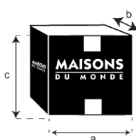
HARVEY

208891



a = 120 cm
b = 50 cm
c = 78 cm

d = 70 cm
e = 35x46x10 cm
f = 49,5x49,5x10,5 cm



X 1

a = 132 cm
b = 61 cm = 21 Kg
c = 35 cm