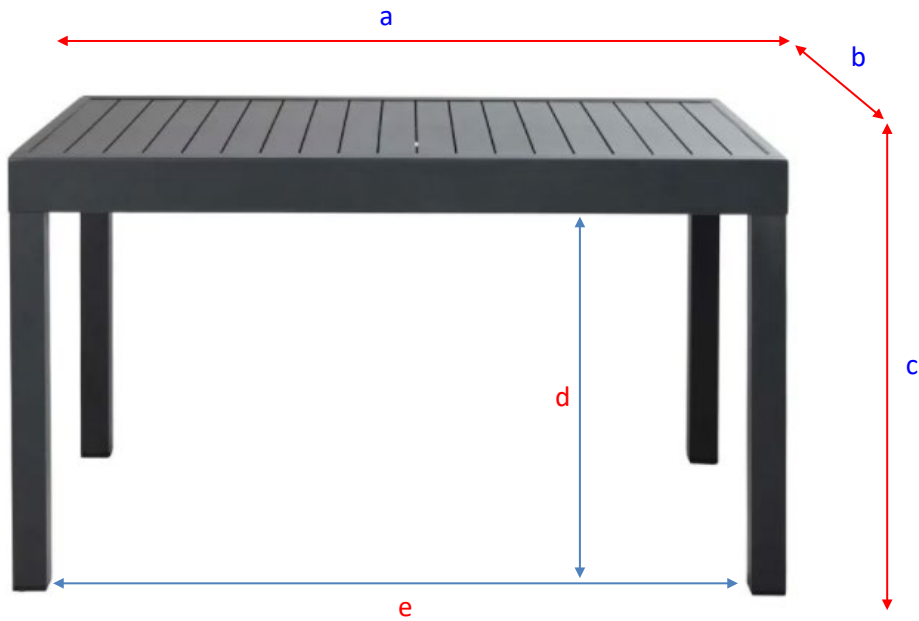
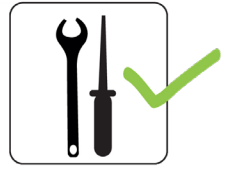


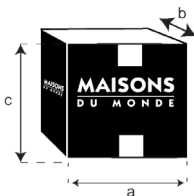
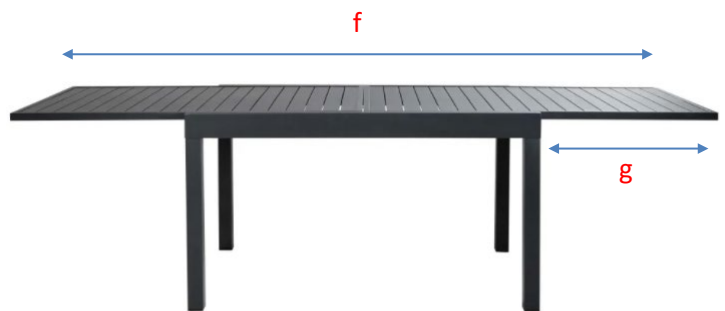
EXTENSO

208959



a = 135 cm
b = 90 cm
c = 75 cm

d = 65 cm
e = 120 cm
f = 270 cm
g = 67 cm



X 1

a = 138 cm
b = 93 cm
c = 12 cm

= 28 Kg