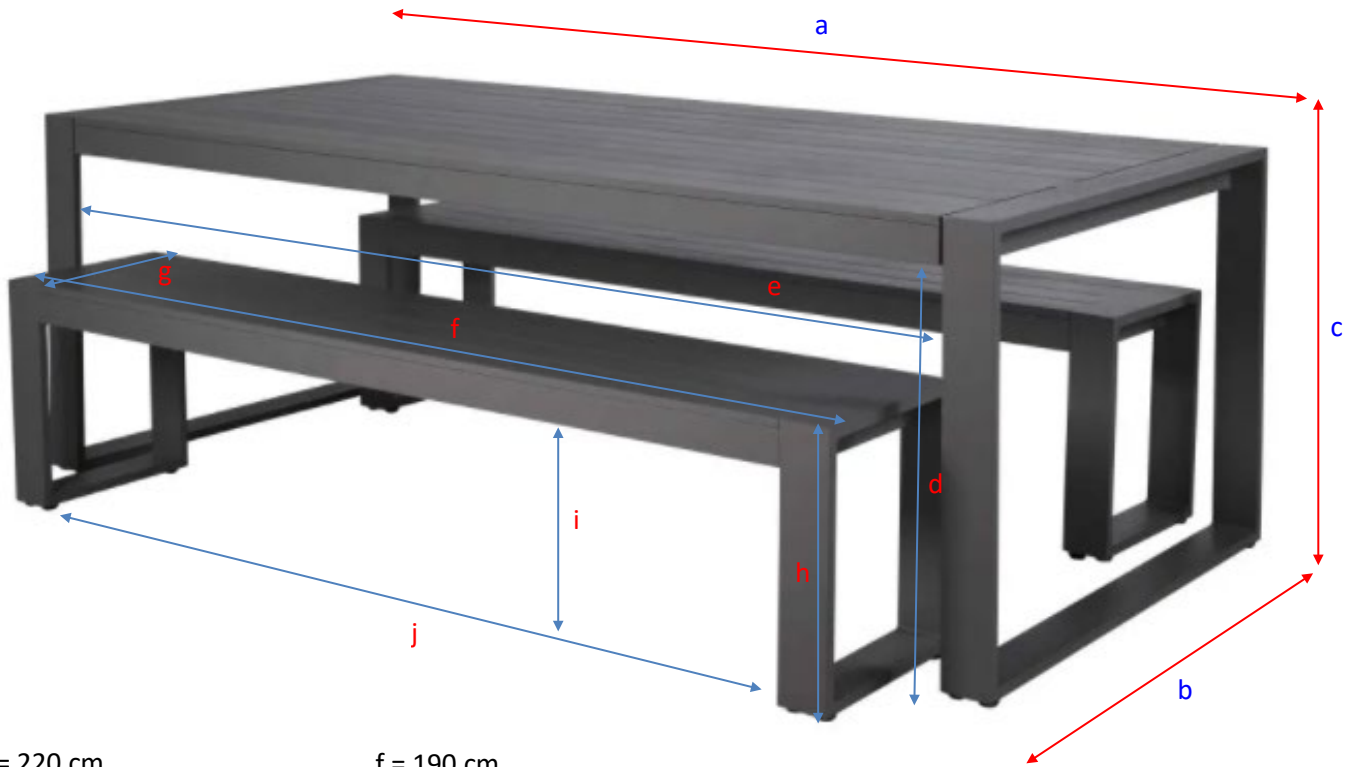


ILEDEL

209095

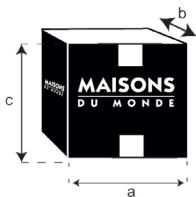


a = 220 cm
b = 100 cm
c = 75 cm

f = 190 cm
g = 26 cm
h = 45 cm

d = 66 cm
e = 202 cm

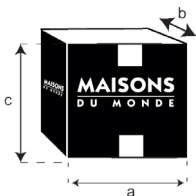
i = 36 cm
j = 172 cm



X 1

a = 211 cm
b = 112 cm
c = 17 cm

= 41 Kg



X 1

a = 86 cm
b = 109 cm
c = 21 cm

= 19 Kg