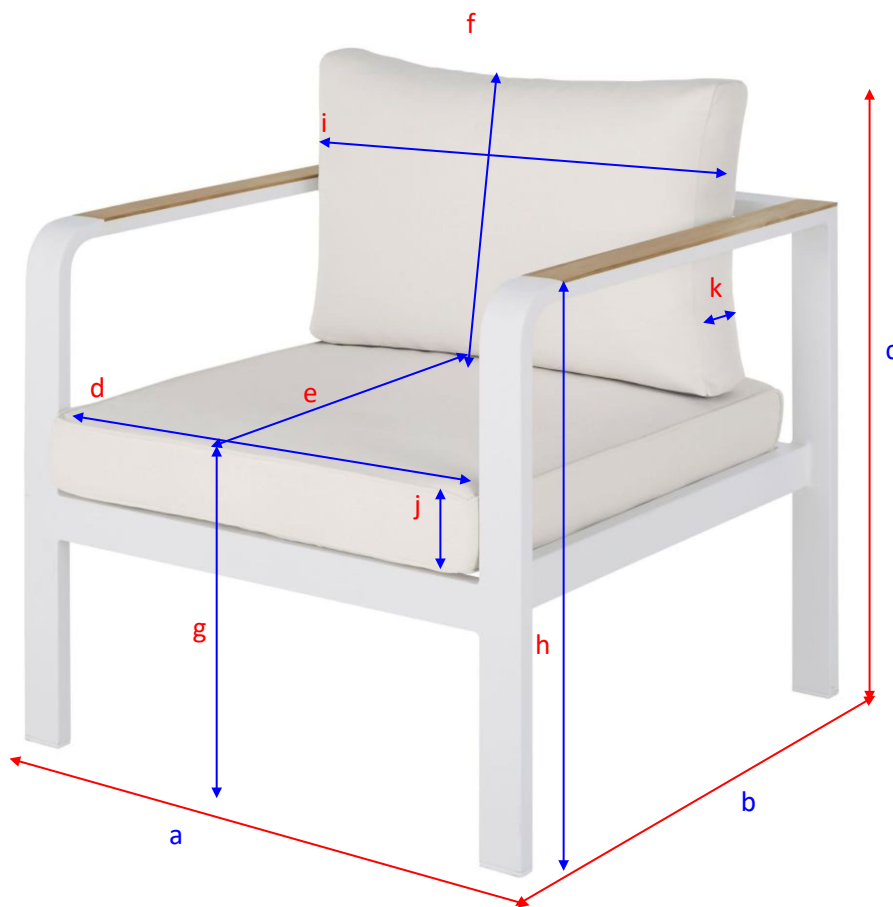
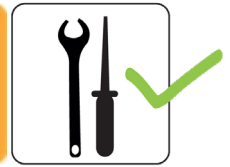


## REGATE

209129

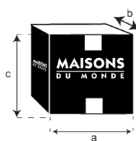


a = 80 cm  
b = 78 cm  
c = 90 cm

d = 67,5 cm  
e = 58 cm  
f = 46 cm

g = 48 cm  
h = 72 cm  
i = 67,5 cm

j = 10 cm  
k = 16 cm



**X 1**

a = 89 cm  
b = 89 cm  
c = 84 cm

**= 21 Kg**