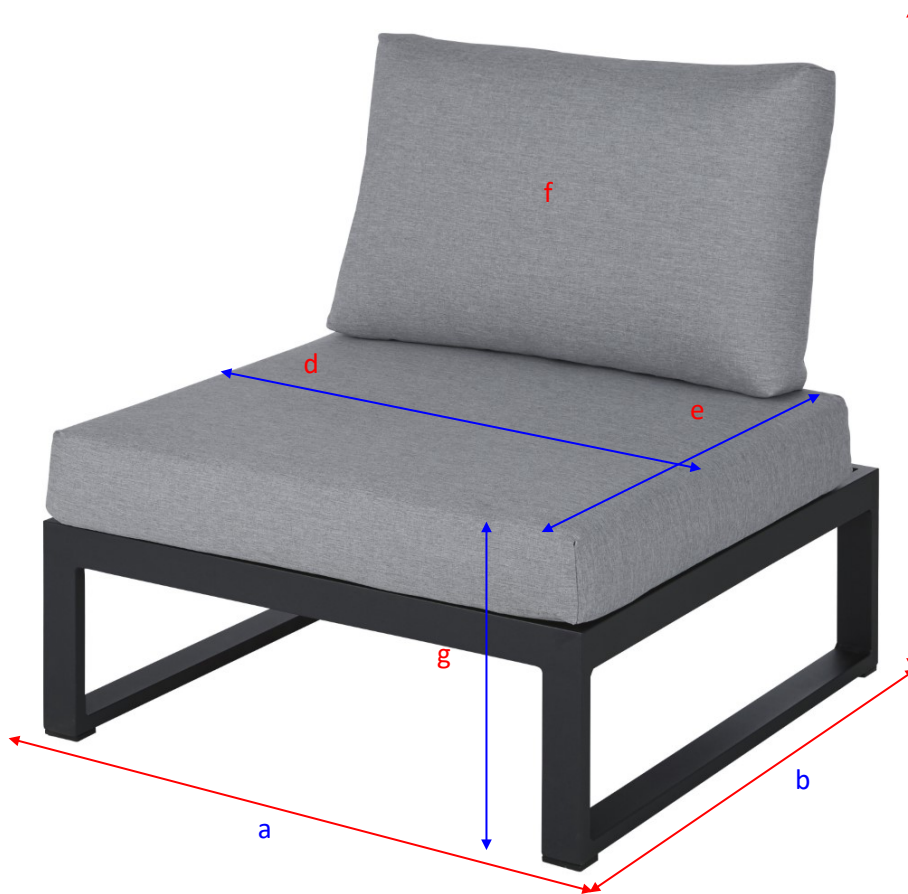


## LENYX

209132



a = 75 cm

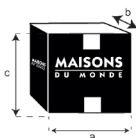
b = 75 cm

c = 27 cm

d = 72 cm

e = 68 cm

f = 65x42x11 cm



**X 1**

a = 77 cm

b = 77 cm

c = 36 cm

**= 15 Kg**