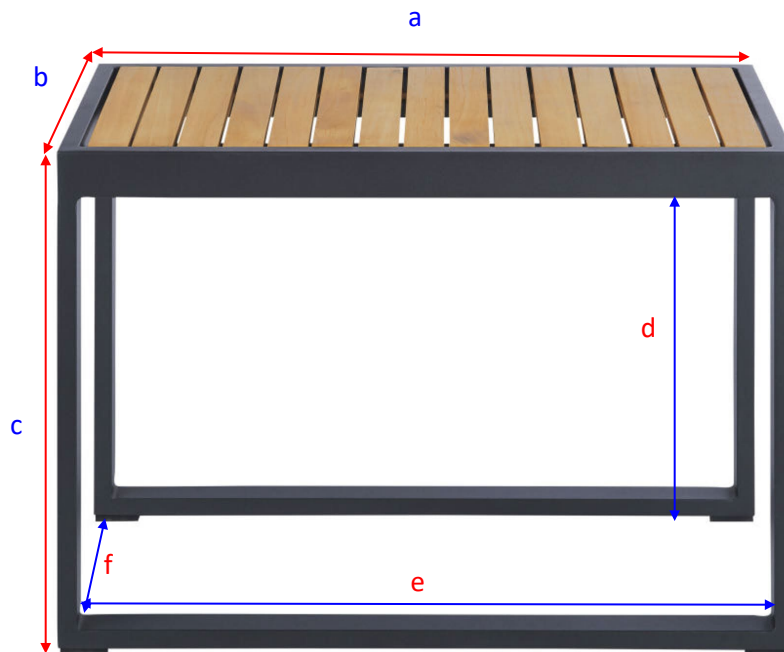


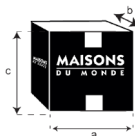
LENYX

209134



a = 75 cm
b = 37,50 cm
c = 53 cm

d = 49,5 cm
e = 70 cm
f = 30 cm



X 1

a = 83 cm
b = 47 cm
c = 63 cm

= 11 Kg