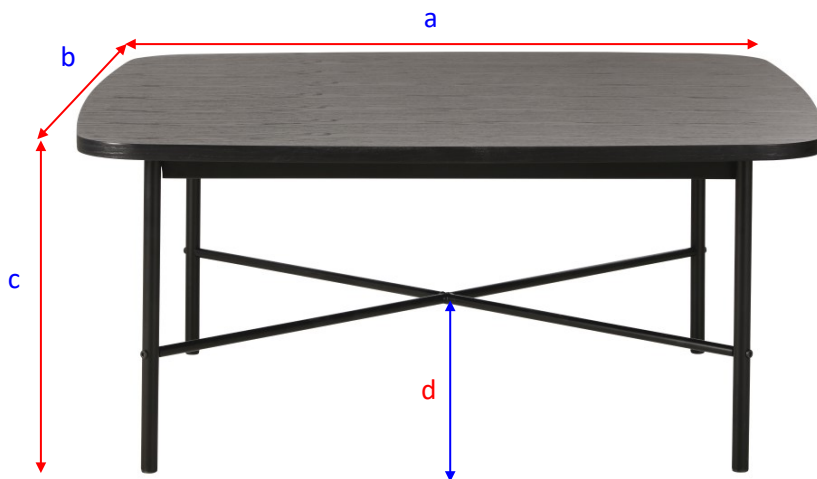
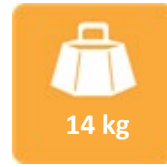
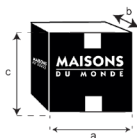


WATKIN

209225



a = 90 cm
b = 90 cm
c = 40 cm
d = 13,5 cm



X 1

a = 100 cm
b = 100 cm **= 17 Kg**
c = 10 cm