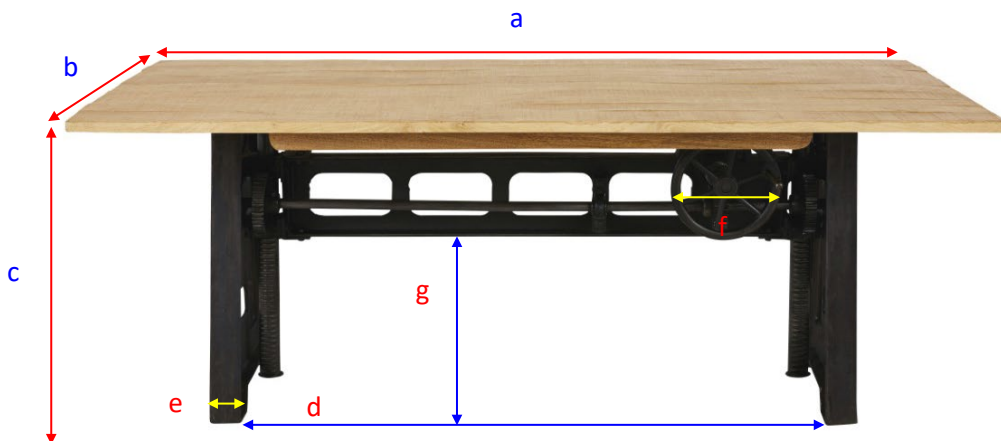
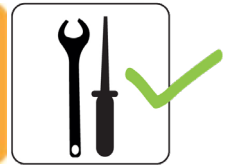
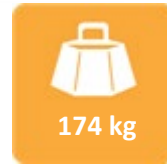


GARIBALDI

209256



a = 200 cm
b = 100 cm
c = 76/110 cm

d = 135 cm
e = 7 cm
f = 25,5 cm
g = 40 cm

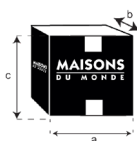


a = 211 cm

b = 14 cm

c = 112 cm

= 59 Kg



X 2

a = 168 cm

b = 64 cm

c = 87 cm

= 165 Kg