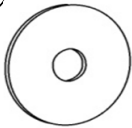




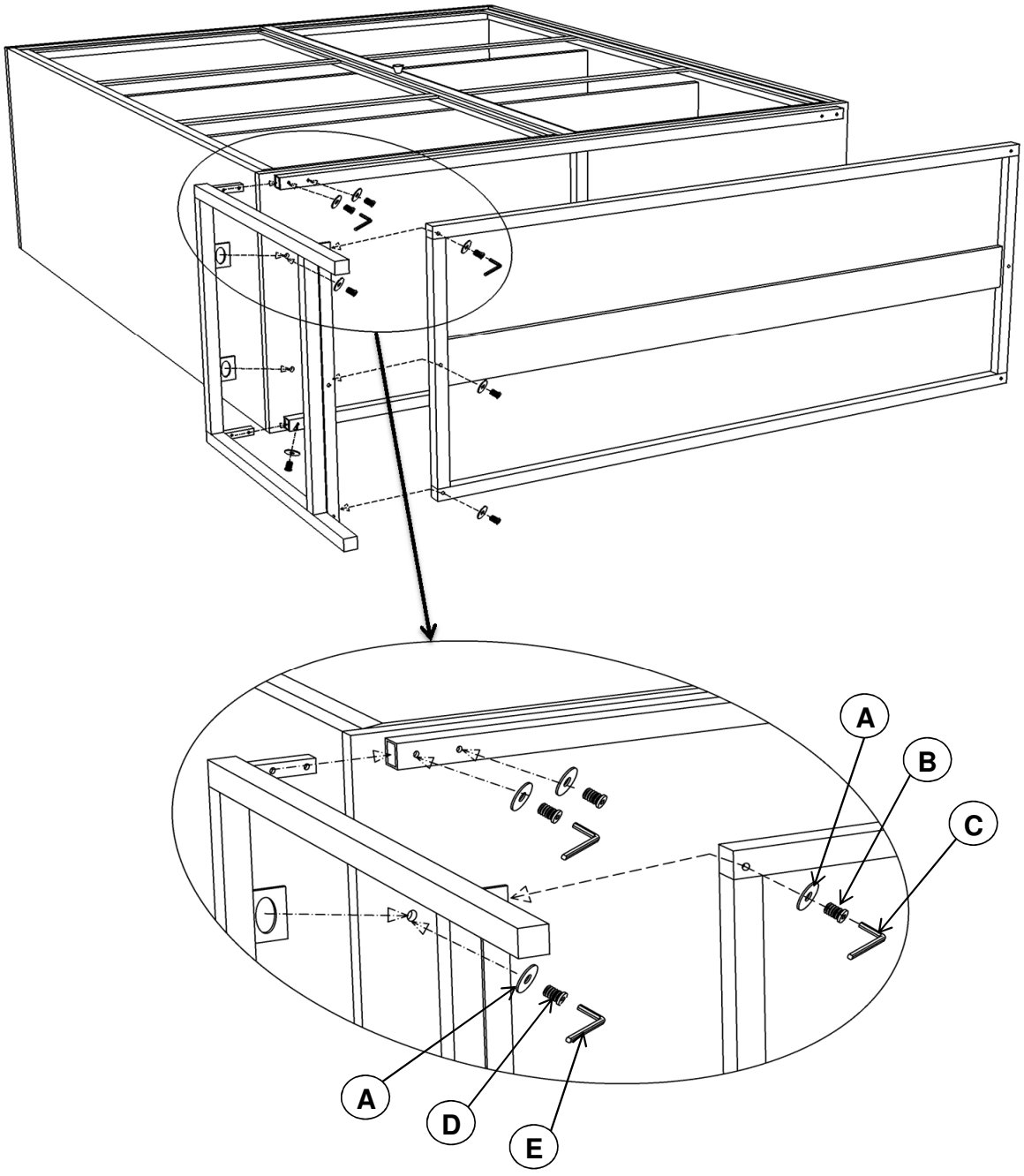


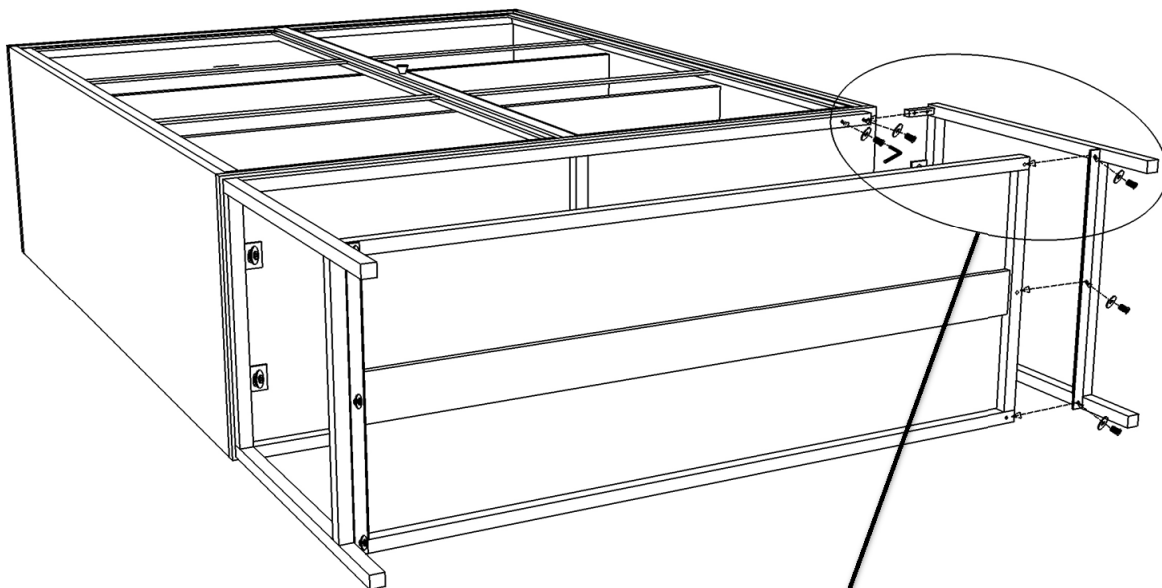
<p>(A)</p>  <p>M8 X18</p>	<p>(B)</p>  <p>Ø8X20 MM X14</p>	<p>(C)</p>  <p>5 MM X1</p>	<p>(D)</p>  <p>Ø6X15 MM X4</p>	<p>(E)</p>  <p>4 MM X1</p>
--	--	---	---	---

1

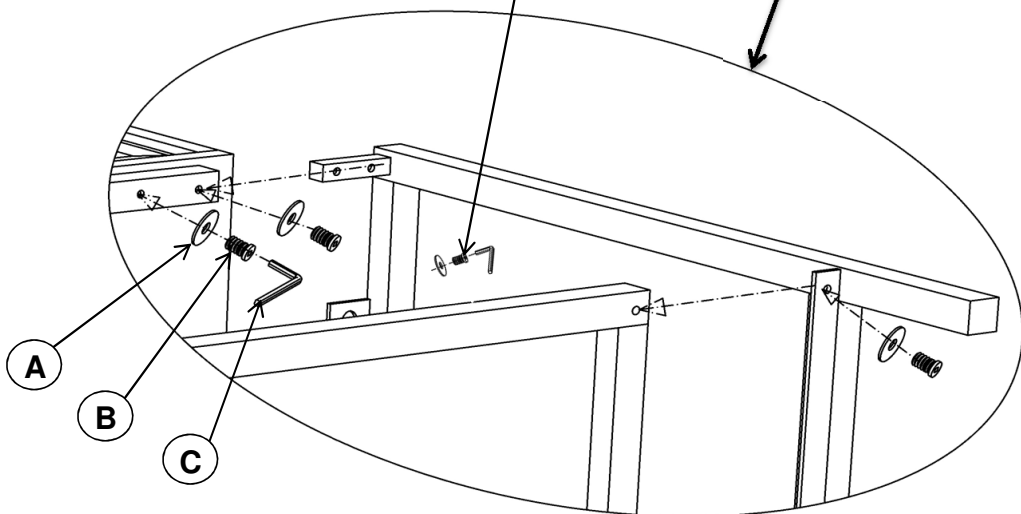


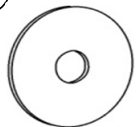
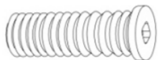



 M8 X9	 Ø8X20 MM X7	 5 MM X1	 Ø6X15 MM X2	 4 MM X1
--------------	--------------------	----------------	--------------------	----------------

2



A+D+E



A 	B 	C 	D 	E 
M8	X9 Ø8X20 MM	X7 5 MM	X1 Ø6X15 MM	X2 4 MM