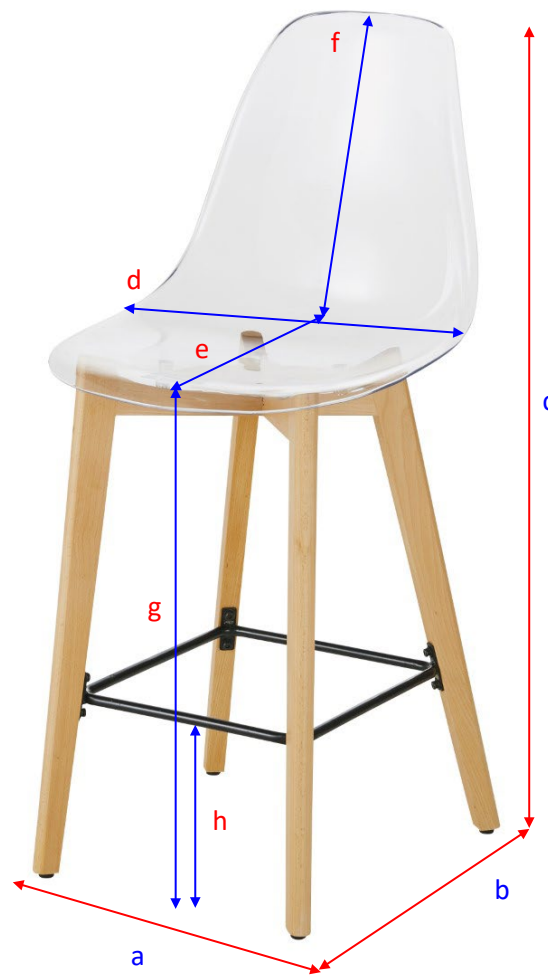


# MAISONS DU MONDE

## ICE

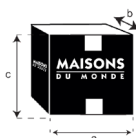
209792



a = 46,5 cm  
b = 54,5 cm  
c = 104,5 cm

d = 45 cm  
e = 40 cm  
f = 42 cm

g = 67 cm  
h = 24 cm



**X 1**

a = 53 cm  
b = 61 cm  
c = 111 cm

**= 9 Kg**