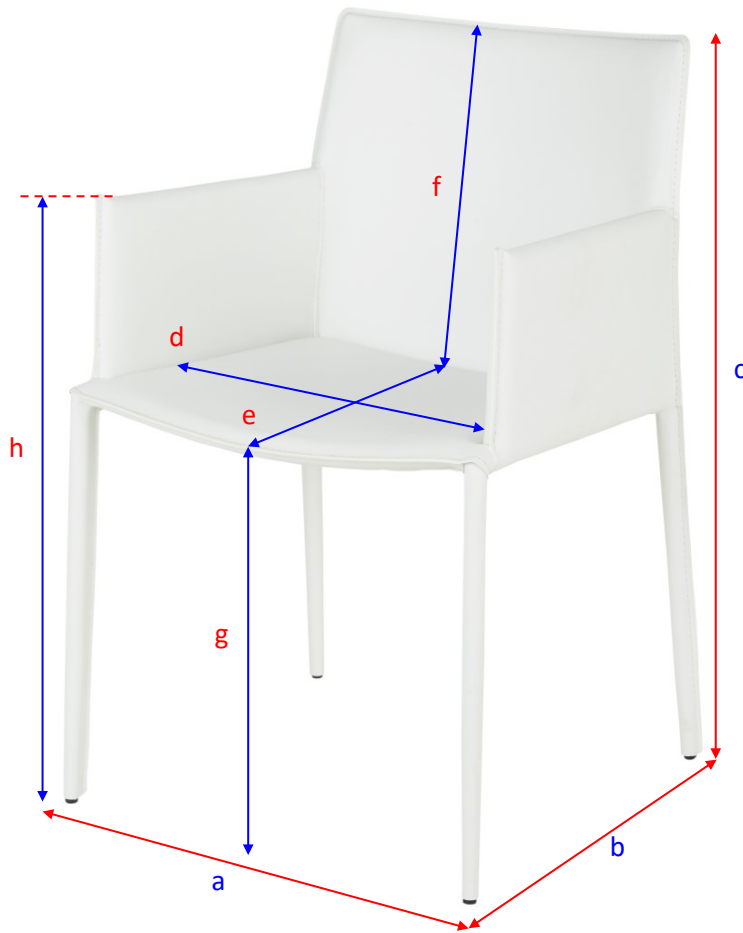


## KLINT

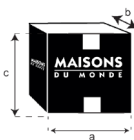
210045 - 210046 - 210047 - 210048



a = 55 cm  
b = 54 cm  
c = 83 cm

d = 52,5 cm  
e = 45 cm  
f = 36 cm

g = 46,5 cm  
h = 67,5 cm



**X 1**

a = 58 cm  
b = 58 cm  
c = 86 cm

**= 11 Kg**