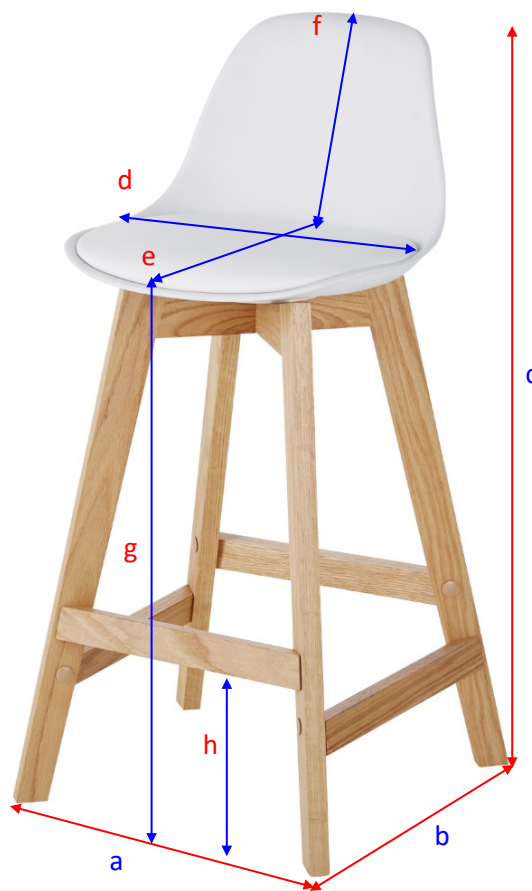
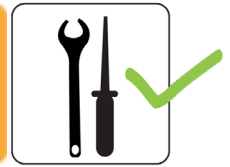


ICE

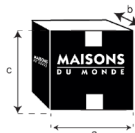
210079 - 210080 - 210081



a = 42 cm
b = 42 cm
c = 87 cm

d = 38,5 cm
e = 33 cm
f = 34 cm

g = 66 cm
h = 23,5 cm



X 1

a = 48 cm
b = 48 cm
c = 87 cm

= 8 Kg