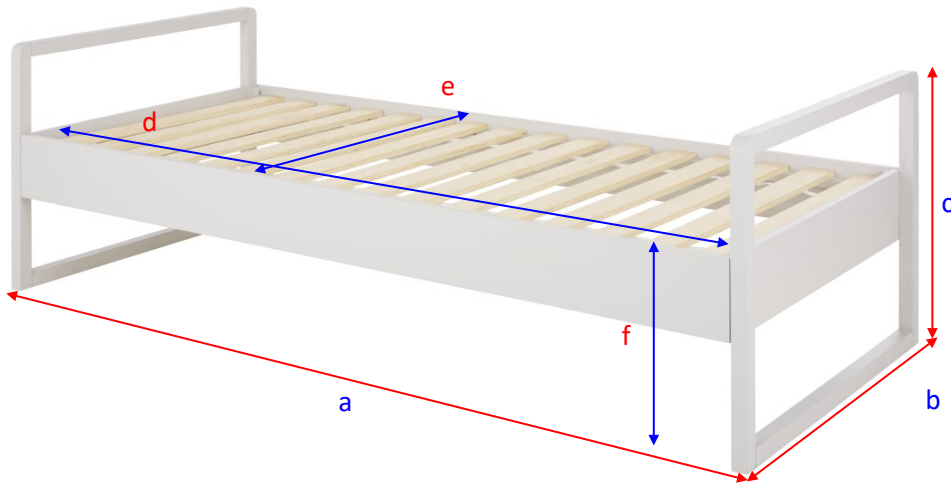
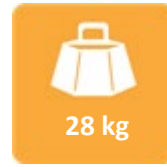


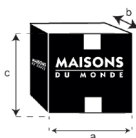
MONTMARTRE

215928



a = 95 cm
b = 215 cm
c = 67 cm

d = 204 cm
e = 90 cm
f = 42,5 cm



X 2

a = 104 cm
b = 78 cm
c = 19 cm

= 21 Kg

a = 215 cm
b = 26 cm
c = 12 cm

= 13 Kg