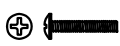


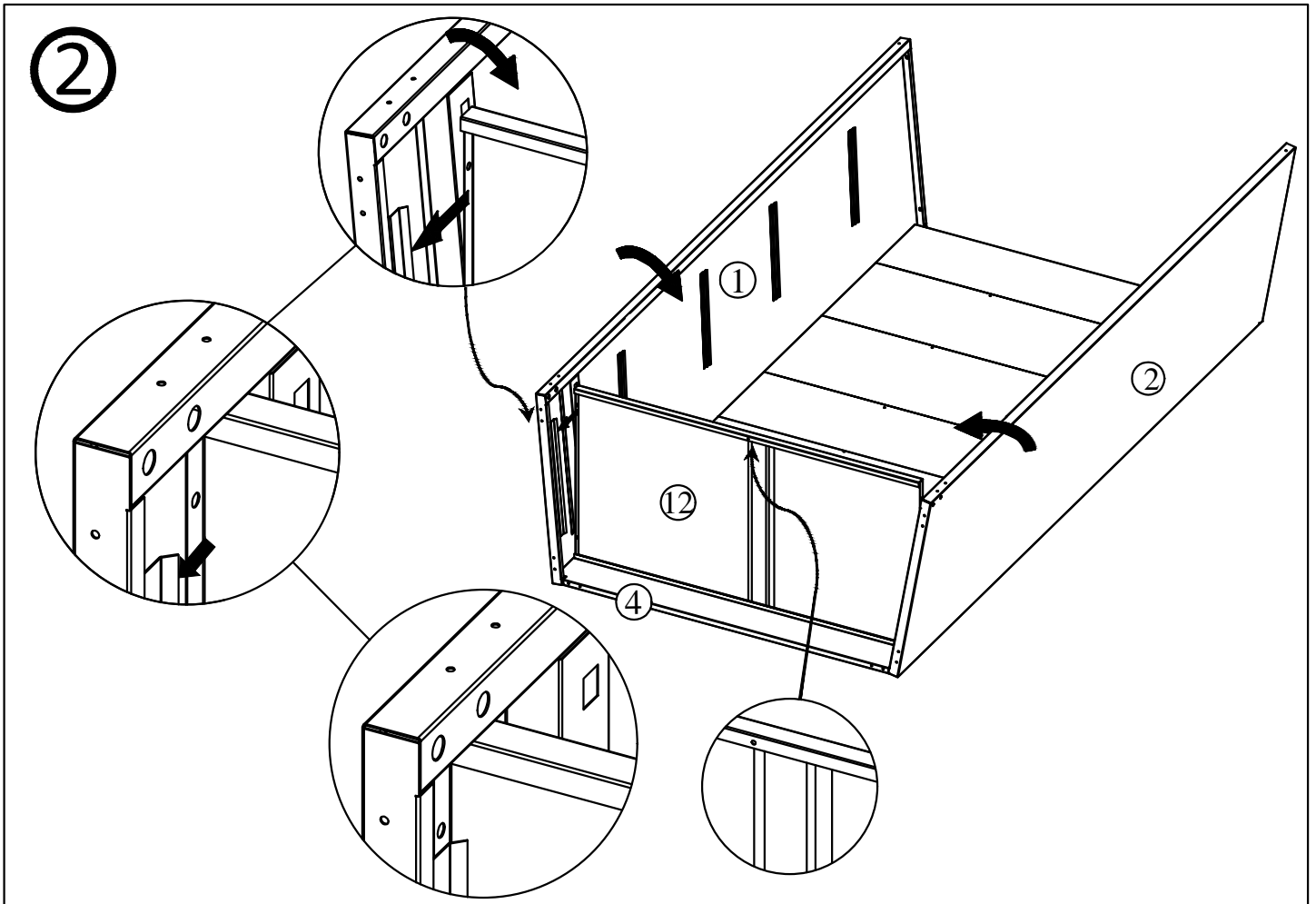
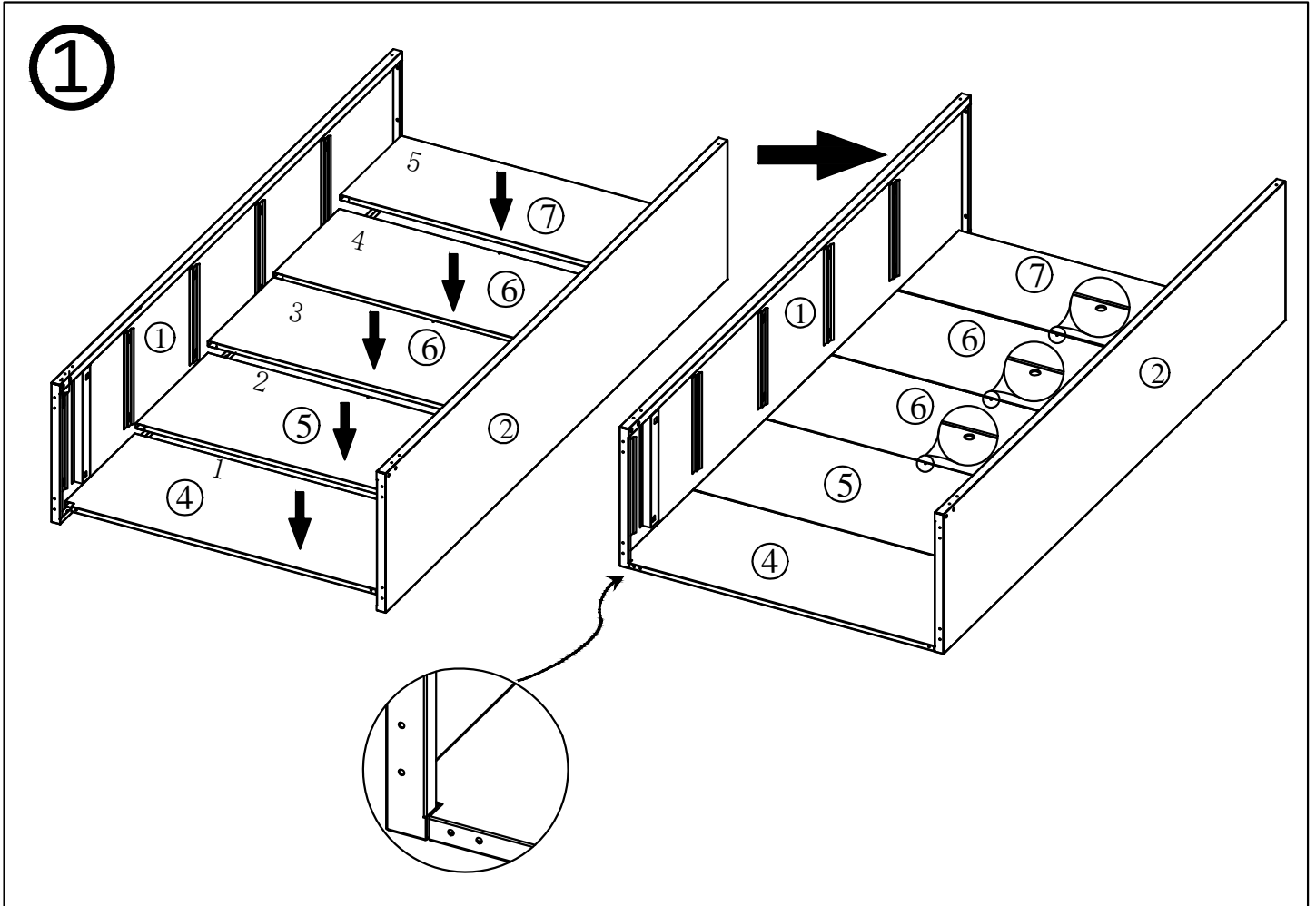
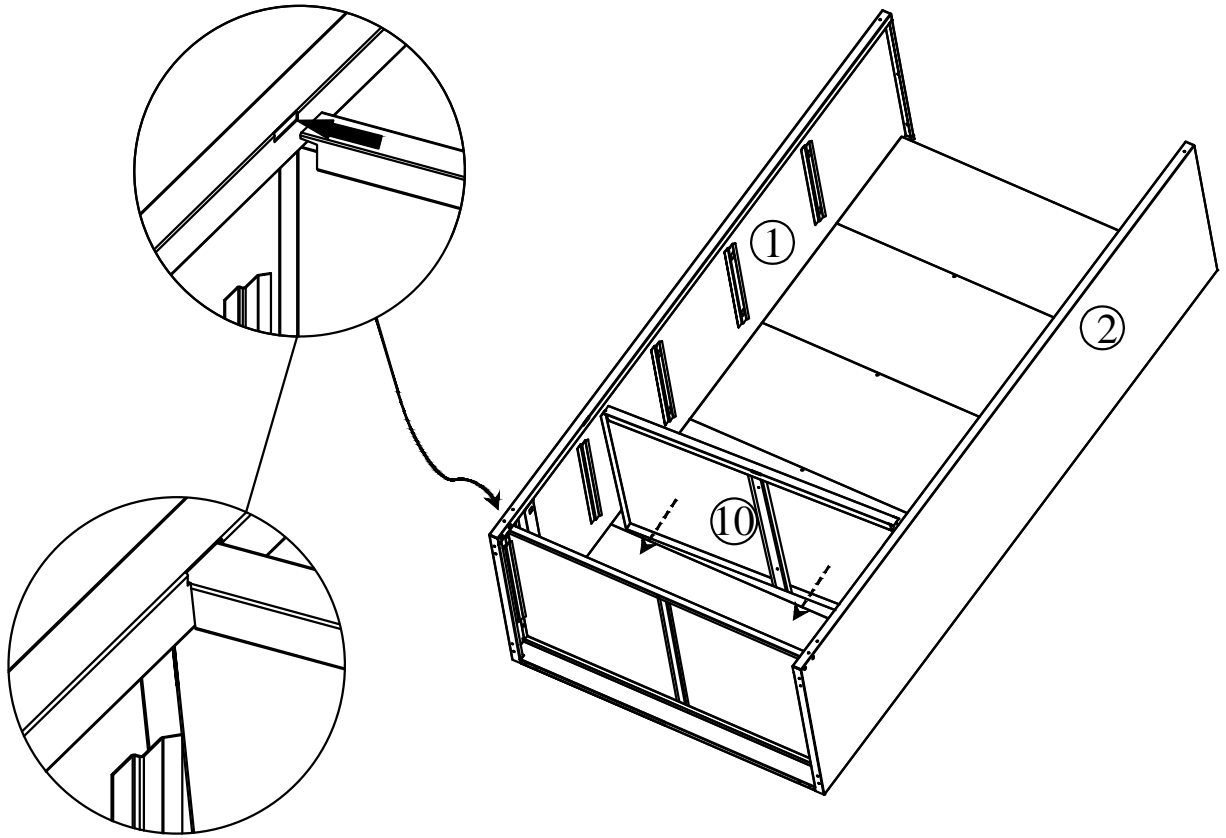


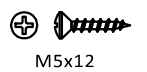
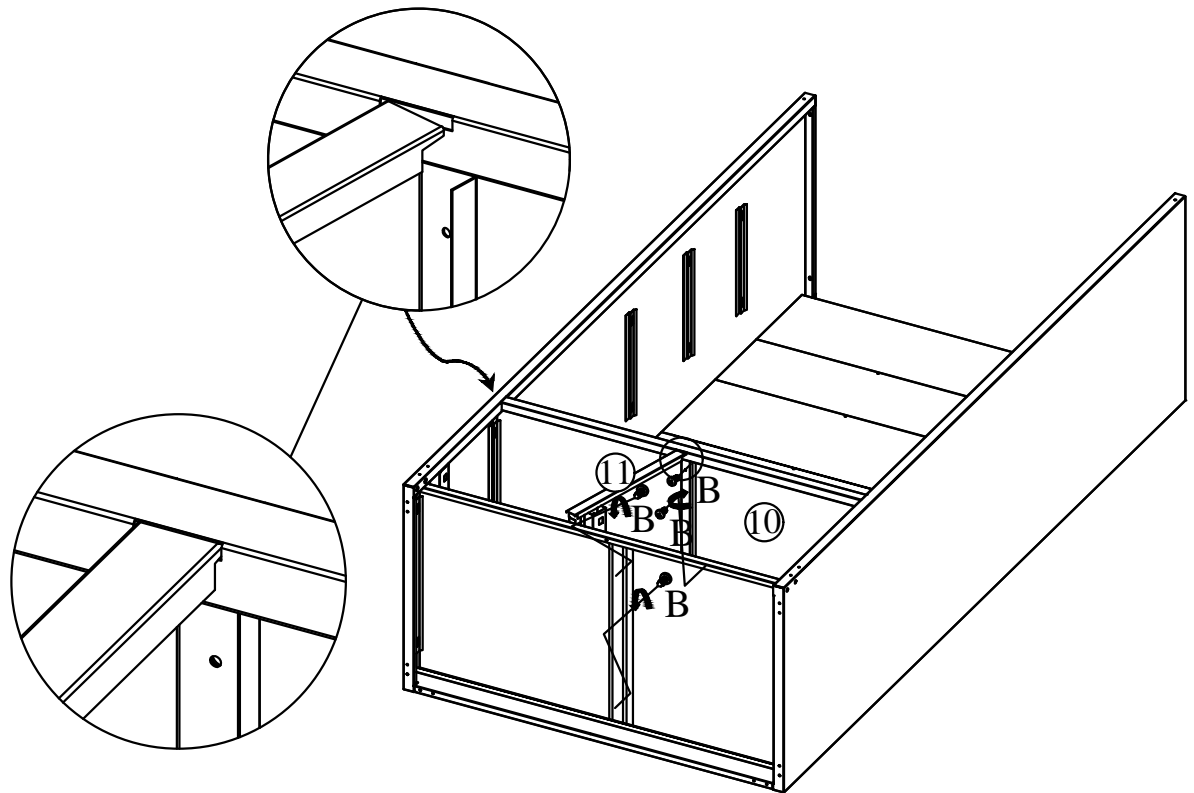
<p>A</p>  <p>M6x40 X4</p>	<p>B</p>  <p>M5x12 X66</p>	<p>C</p>  <p>X4</p>
---	--	---



③



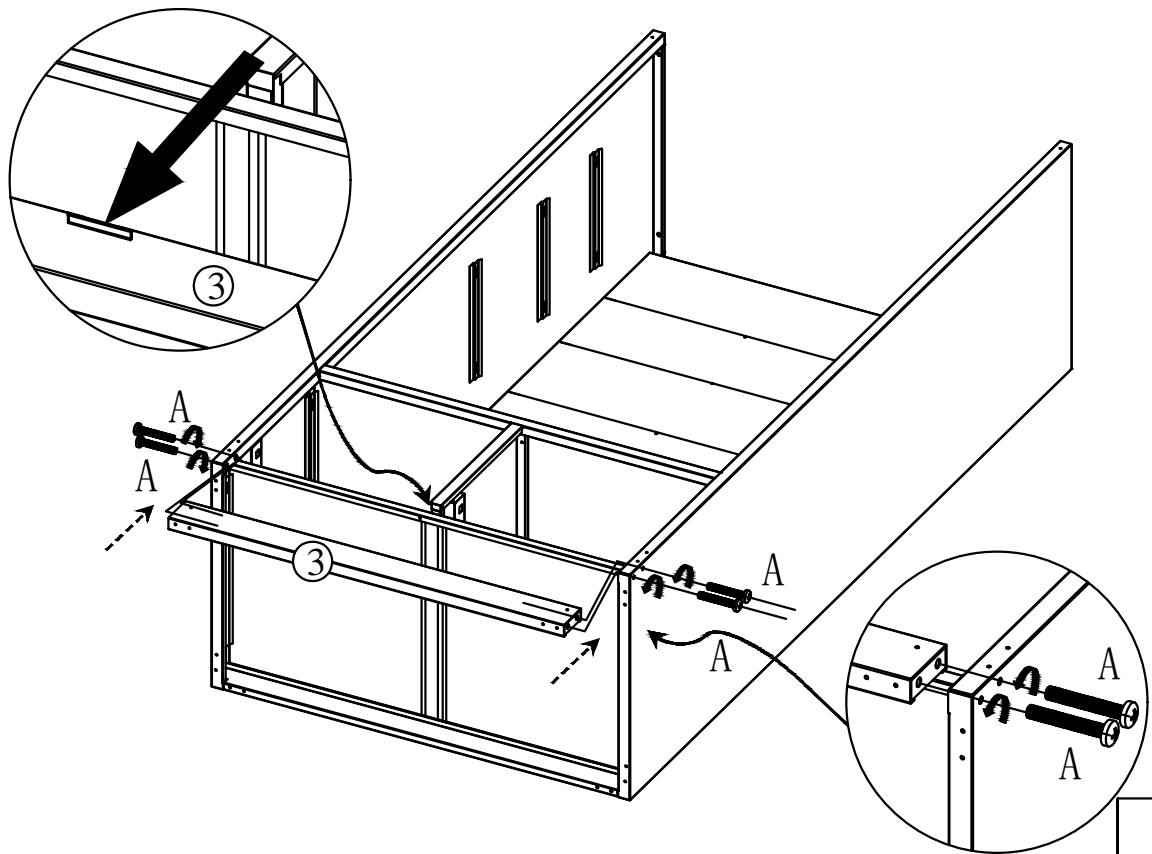
④



M5x12

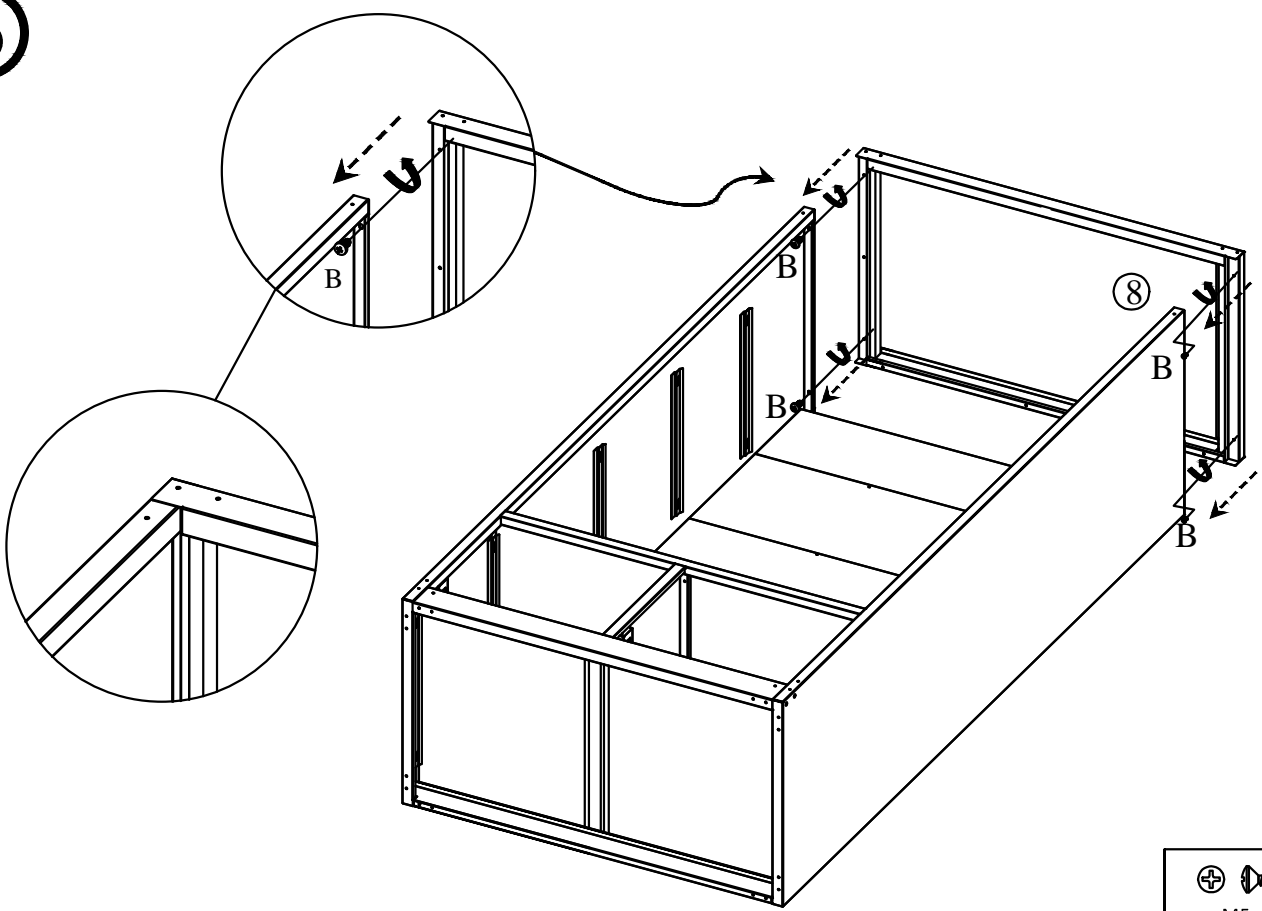
Bx4

5



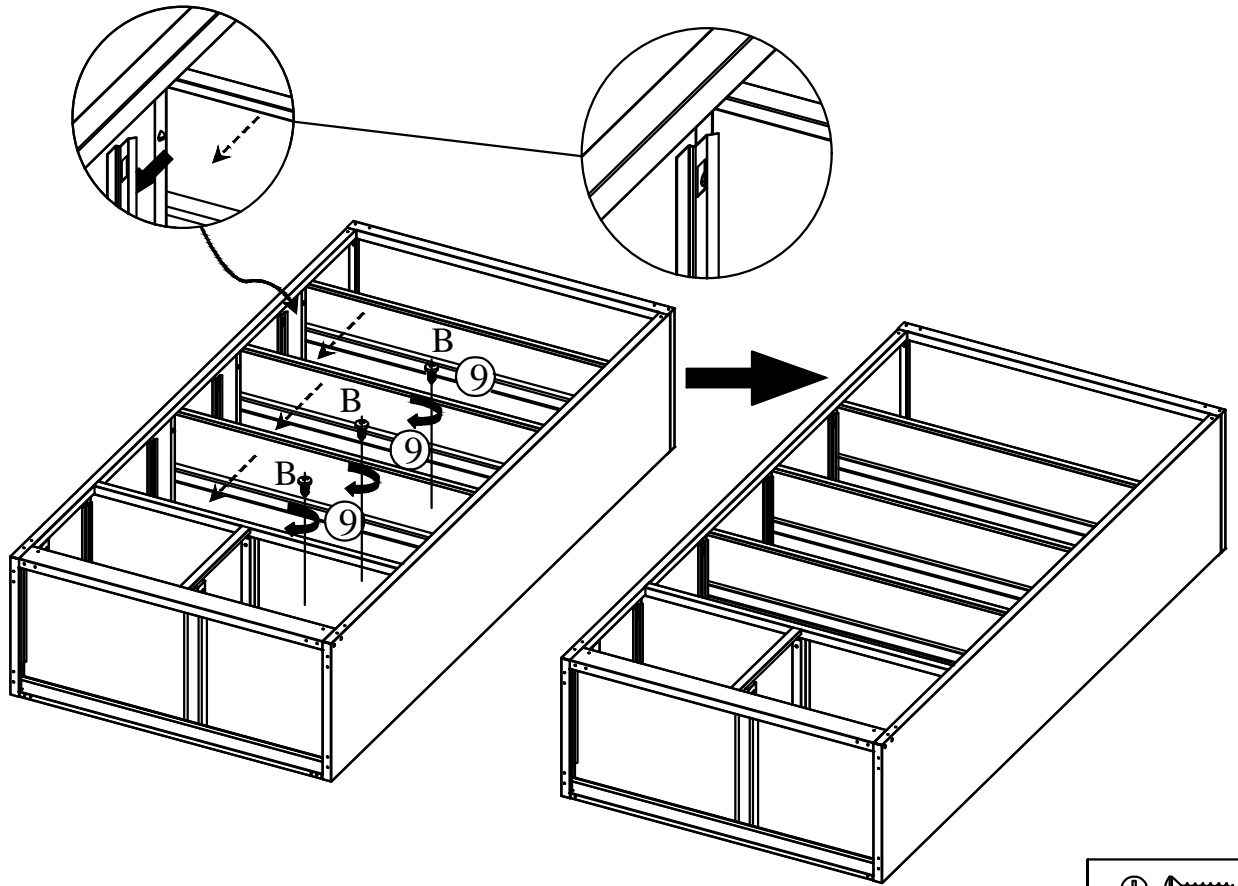
M6x40
Ax4


6



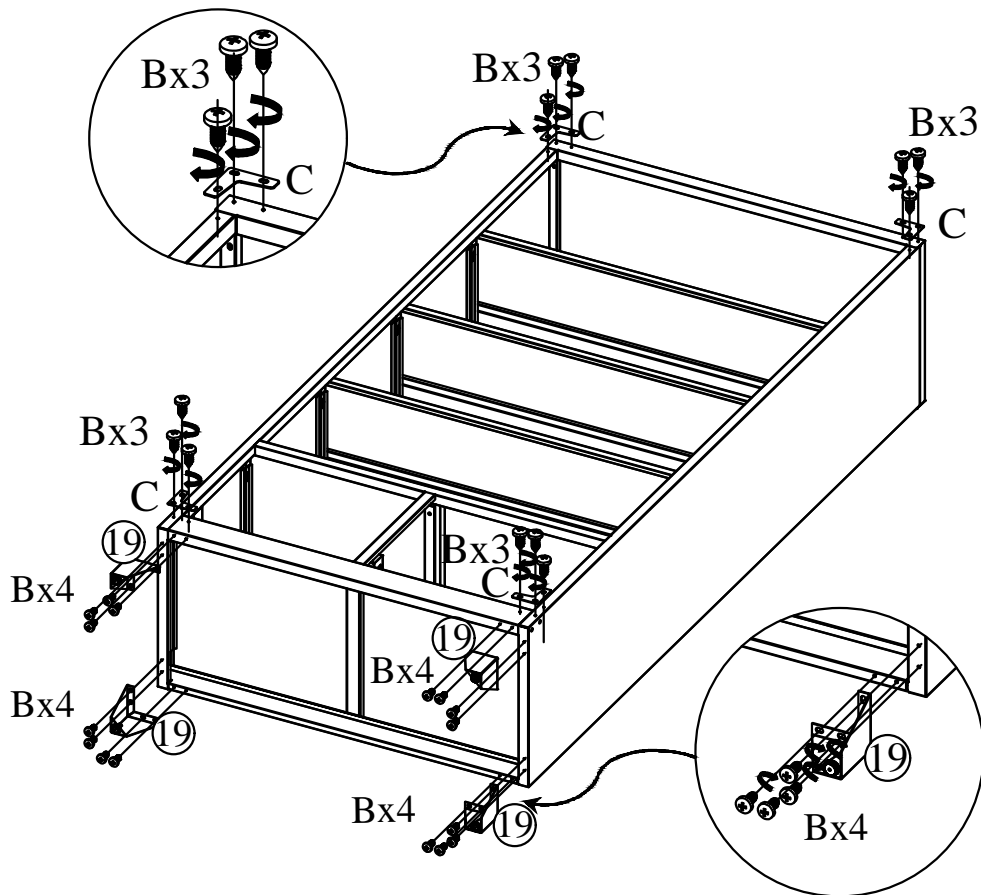
M5x12
Bx4



7



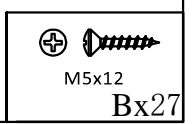
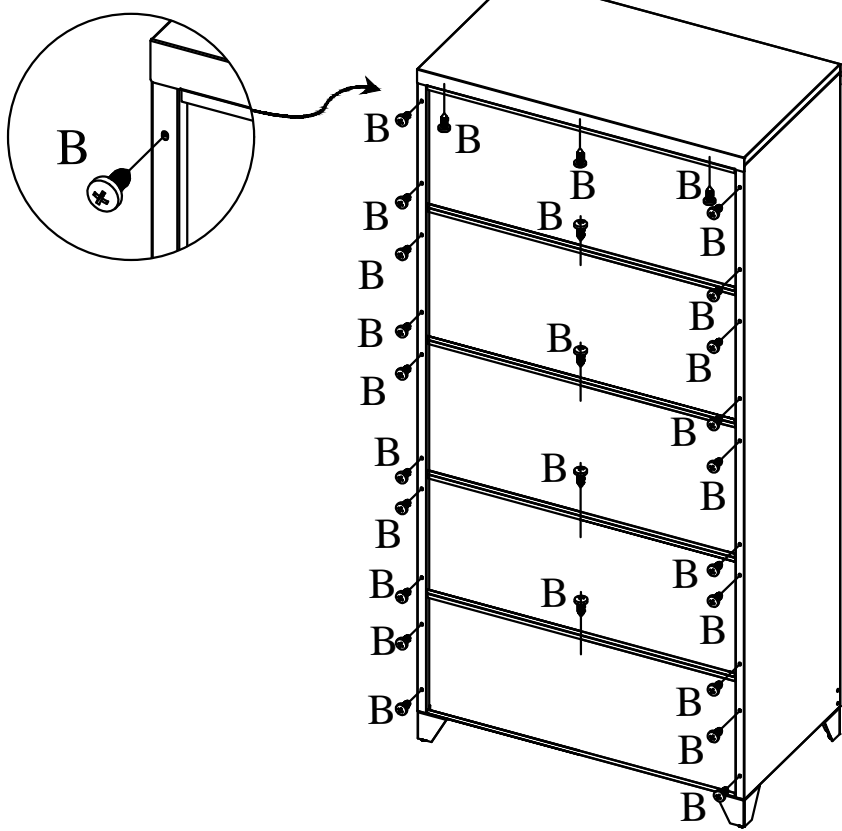

M5x12
Bx3

8

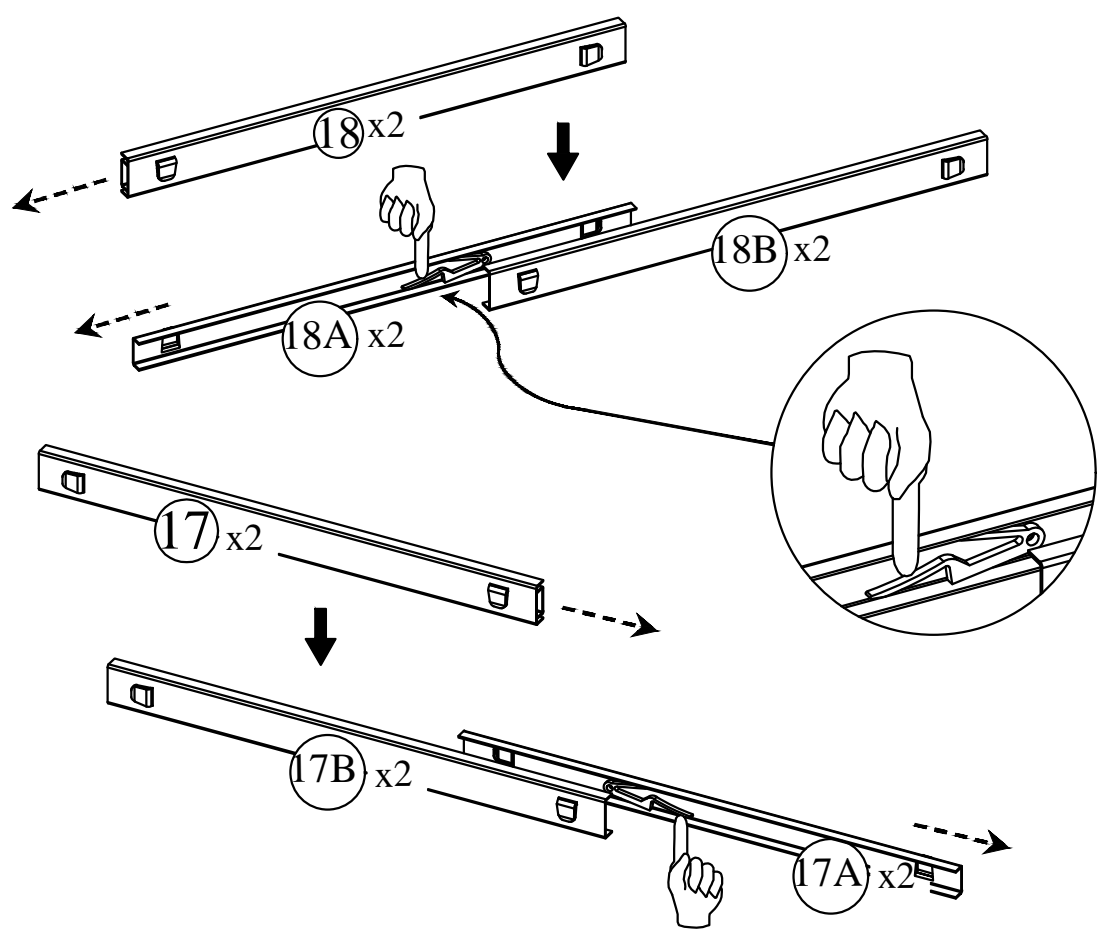



Cx4

M5x12
Bx28

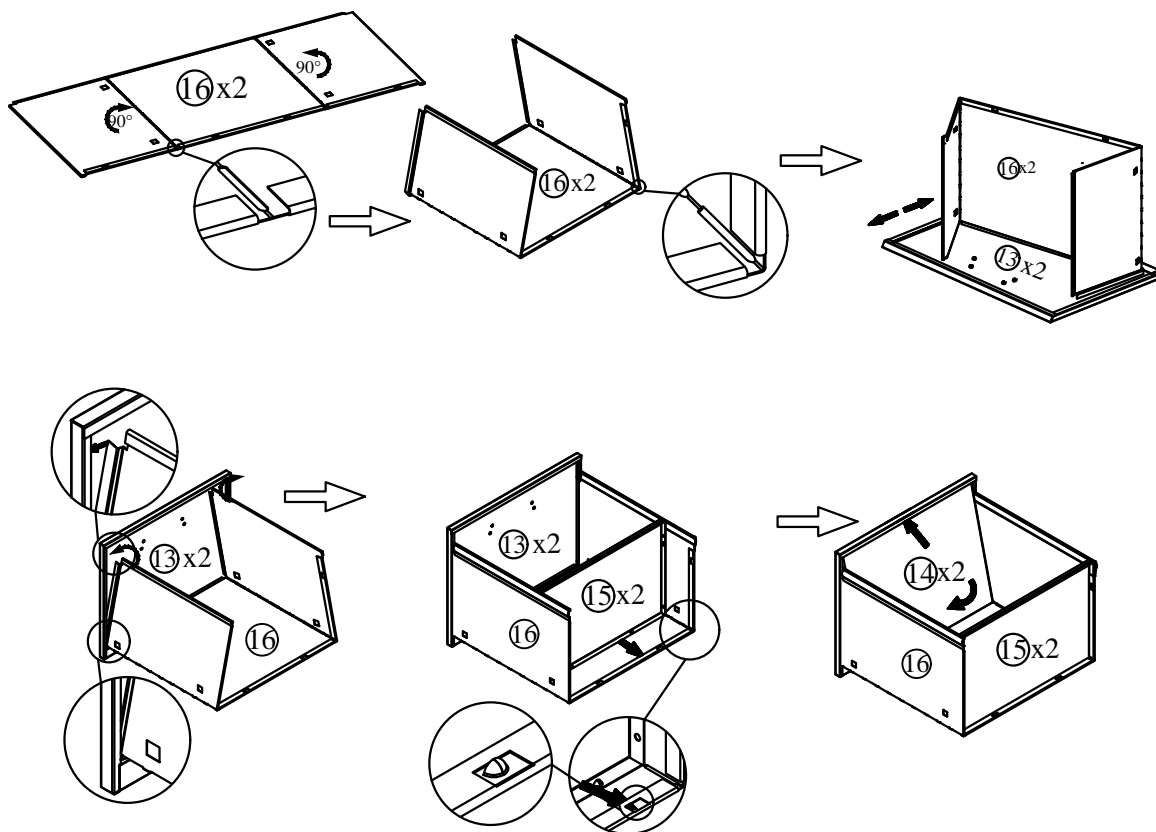
9



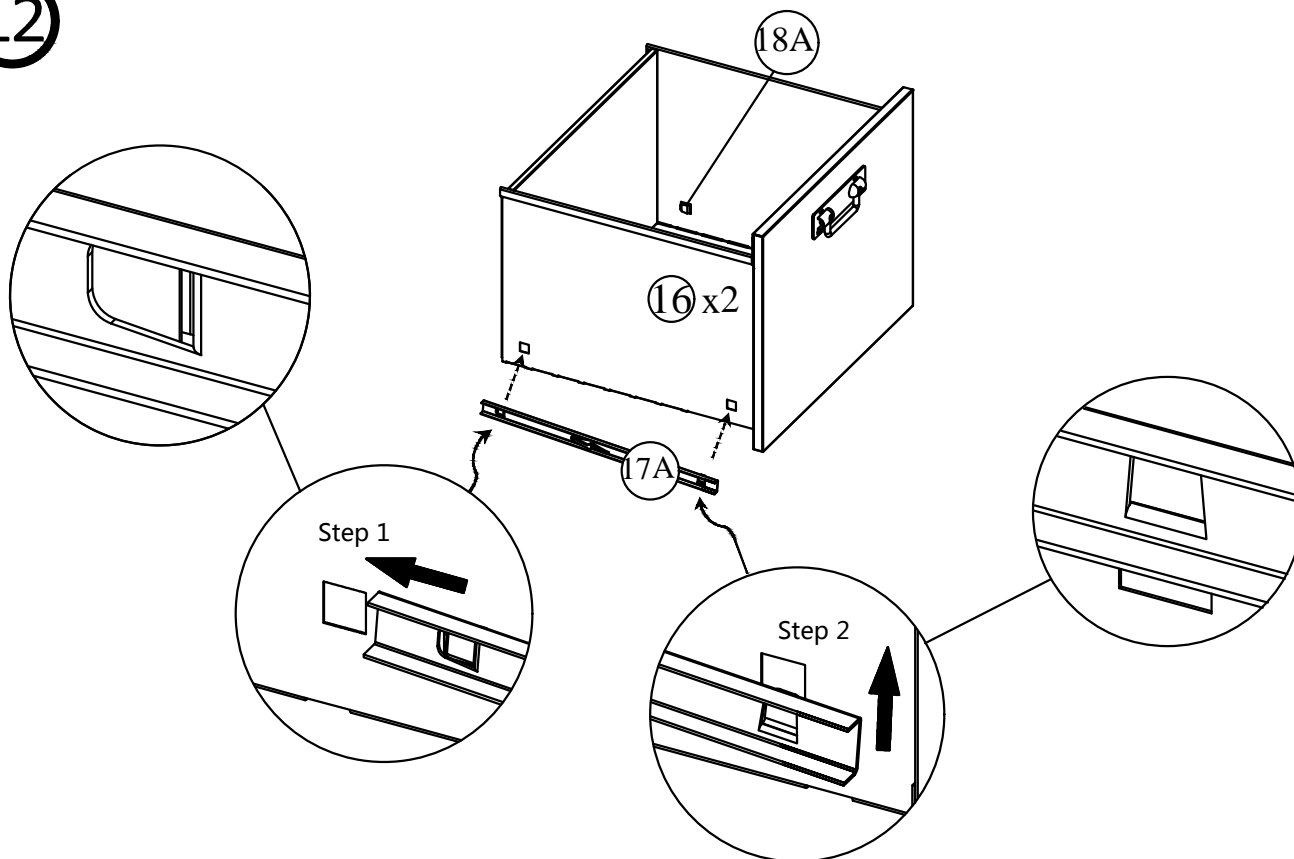
10



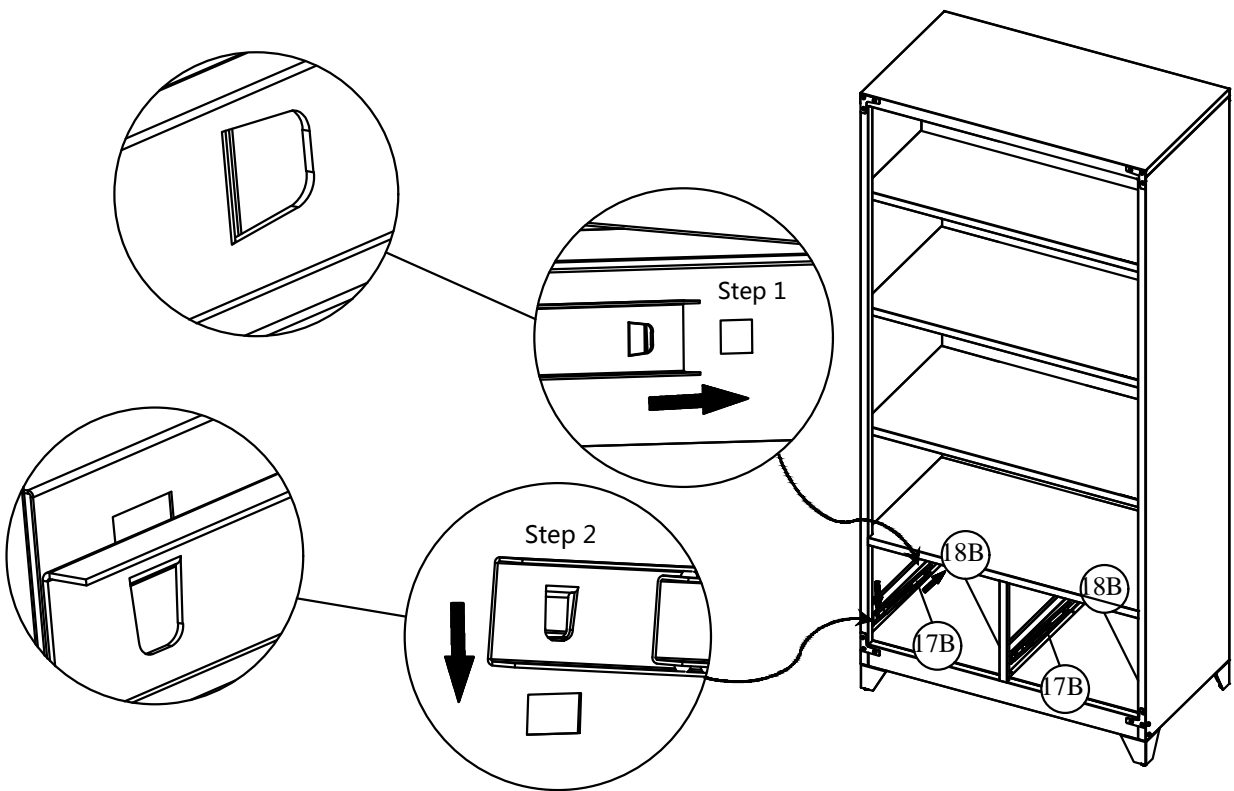
11



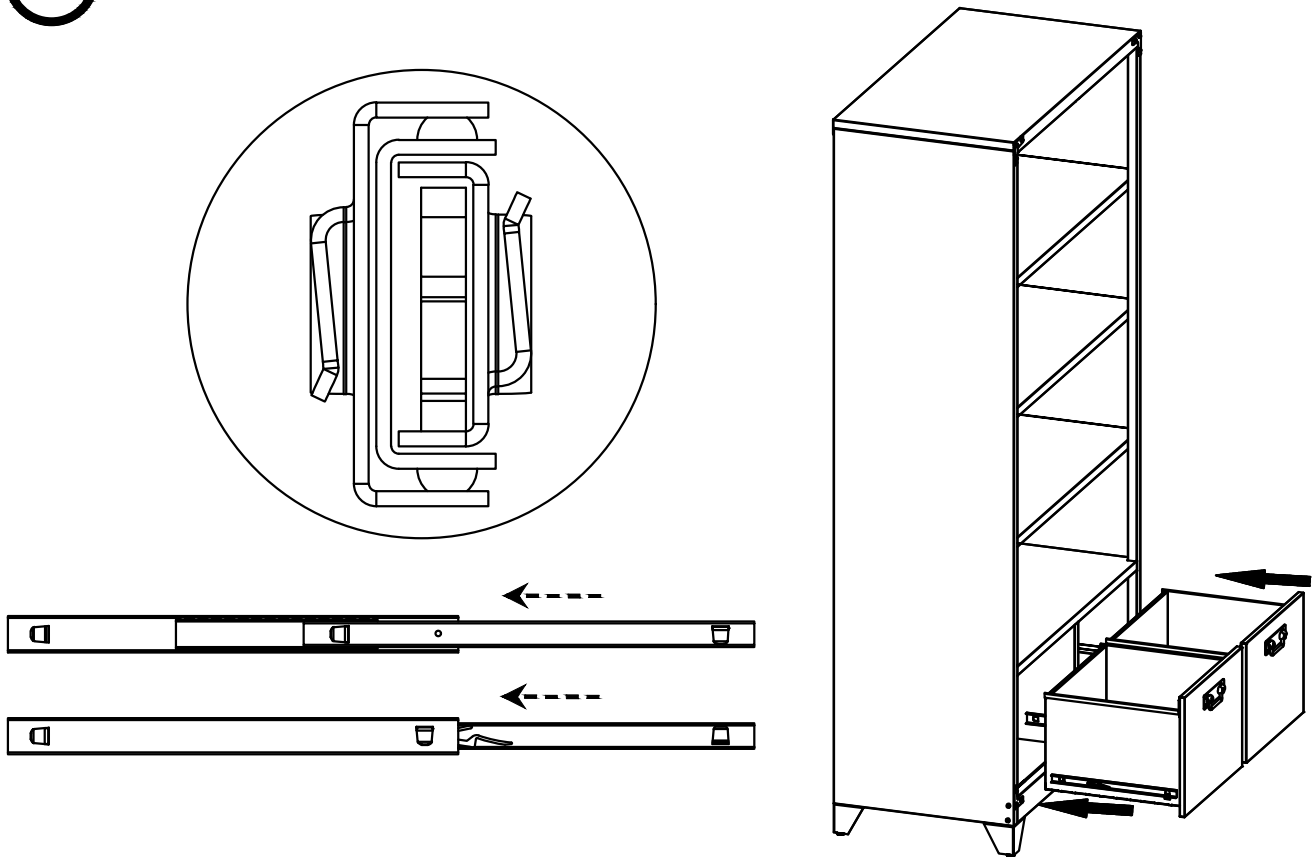
12



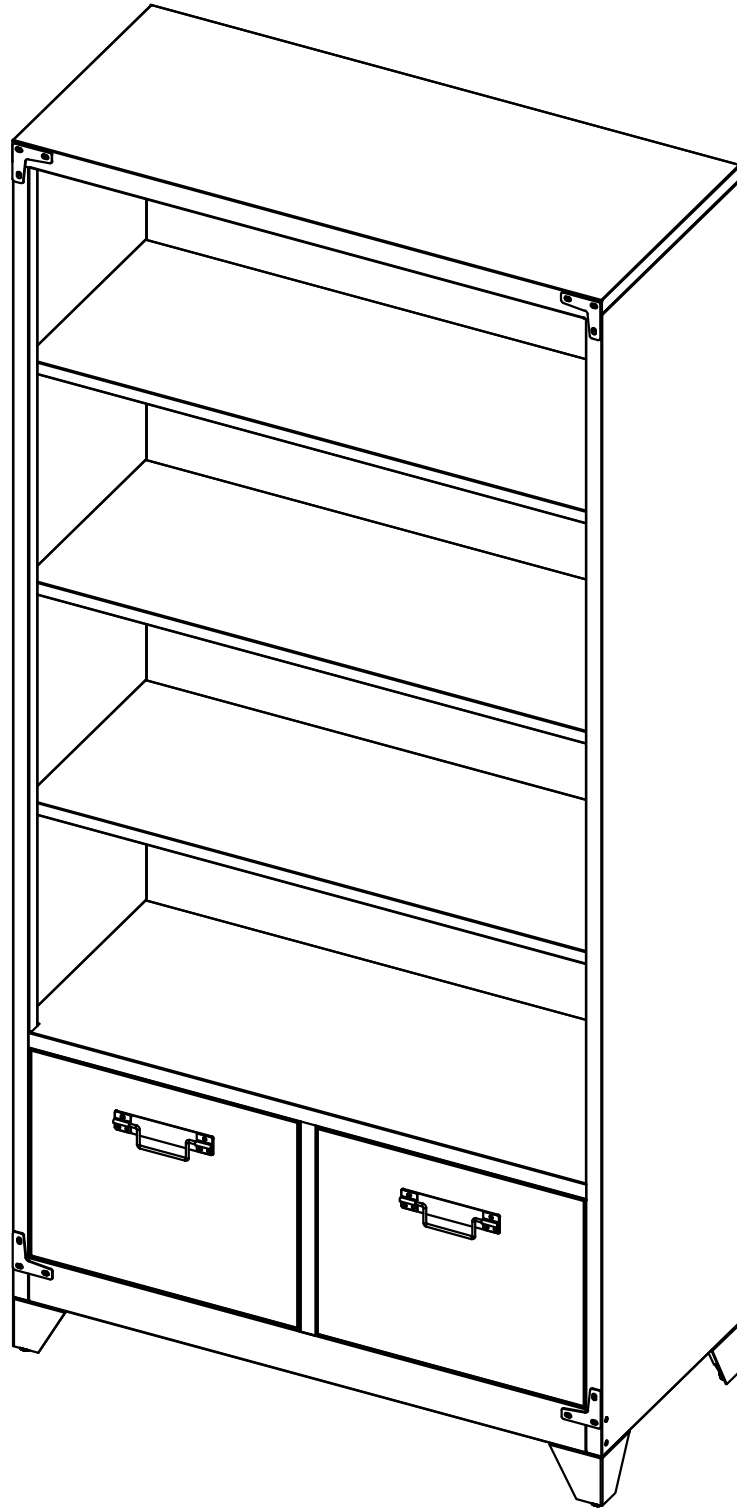
13



14



15



16

