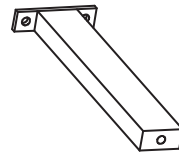
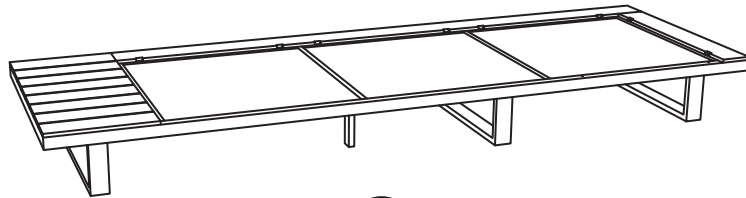


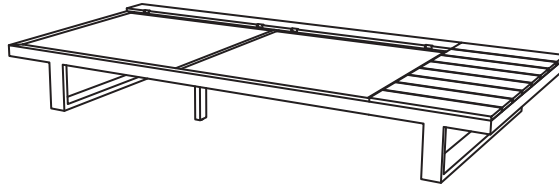
① x6



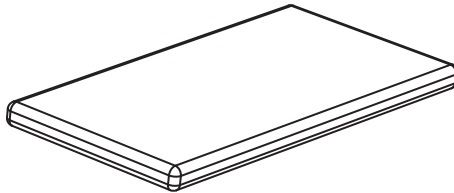
② x2



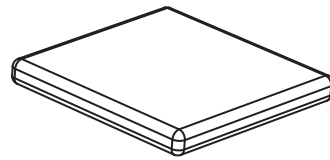
③ x1



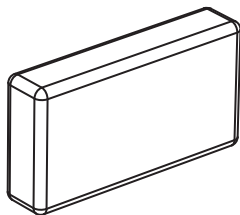
④ x1



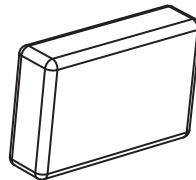
⑤ x2



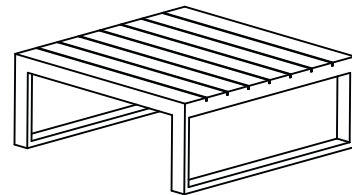
⑥ x1



⑦ x5

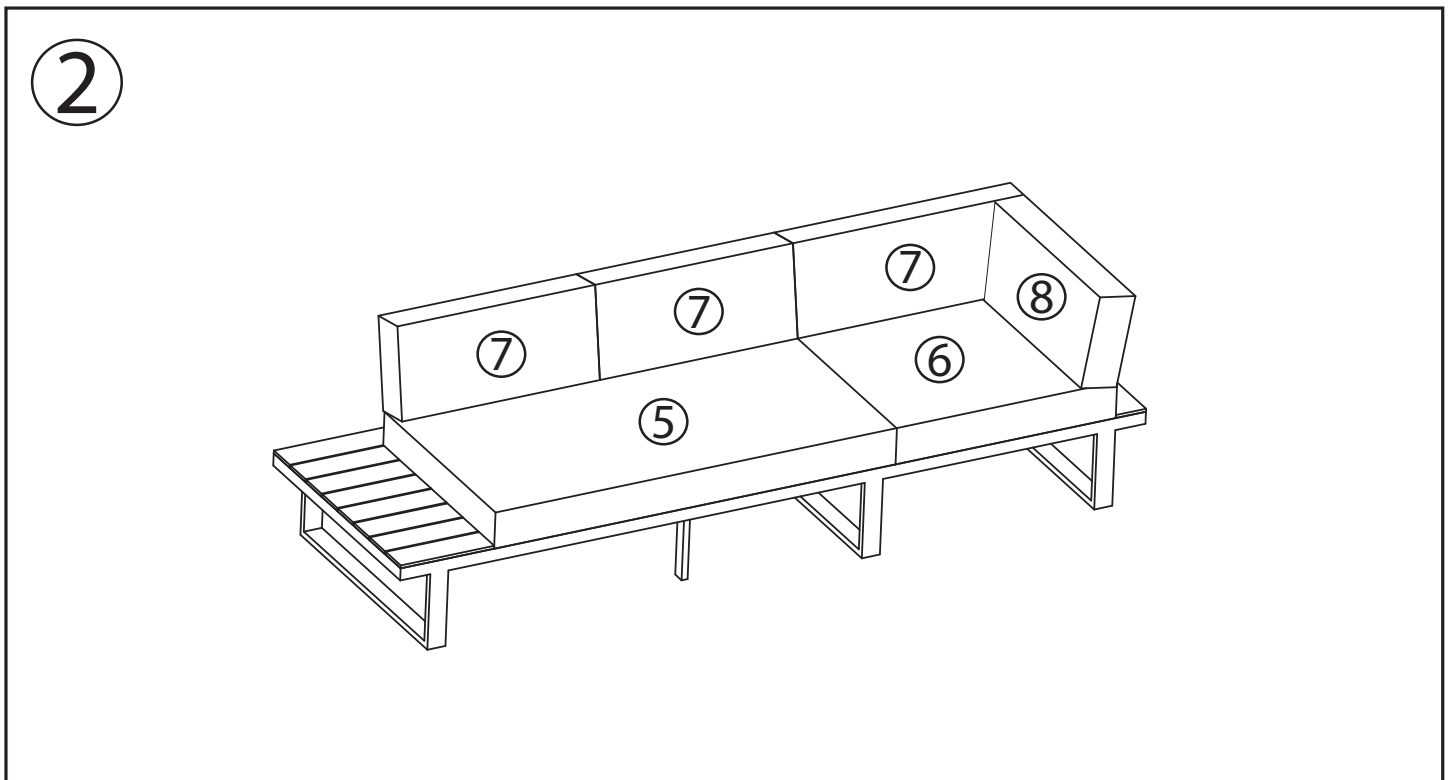
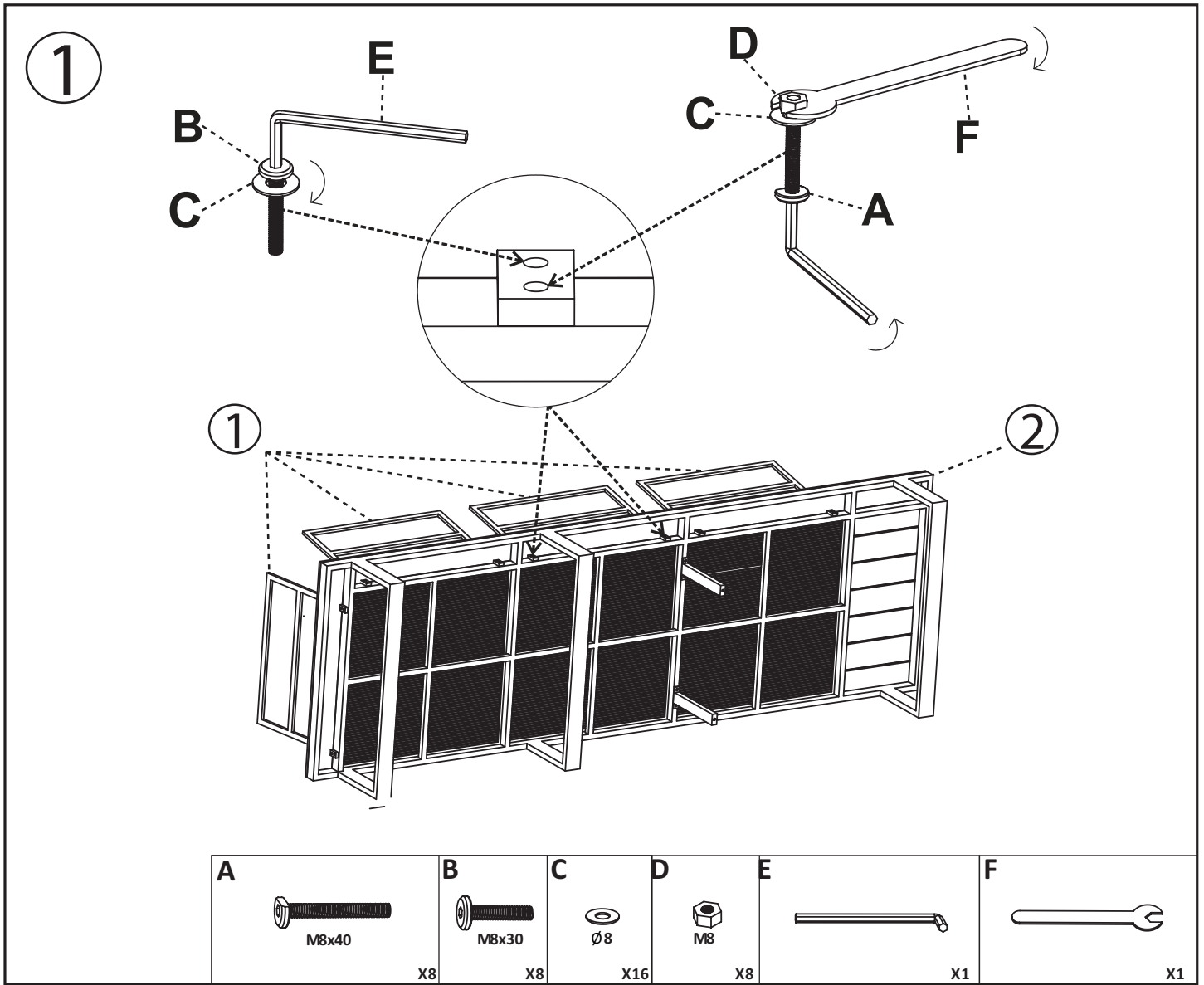


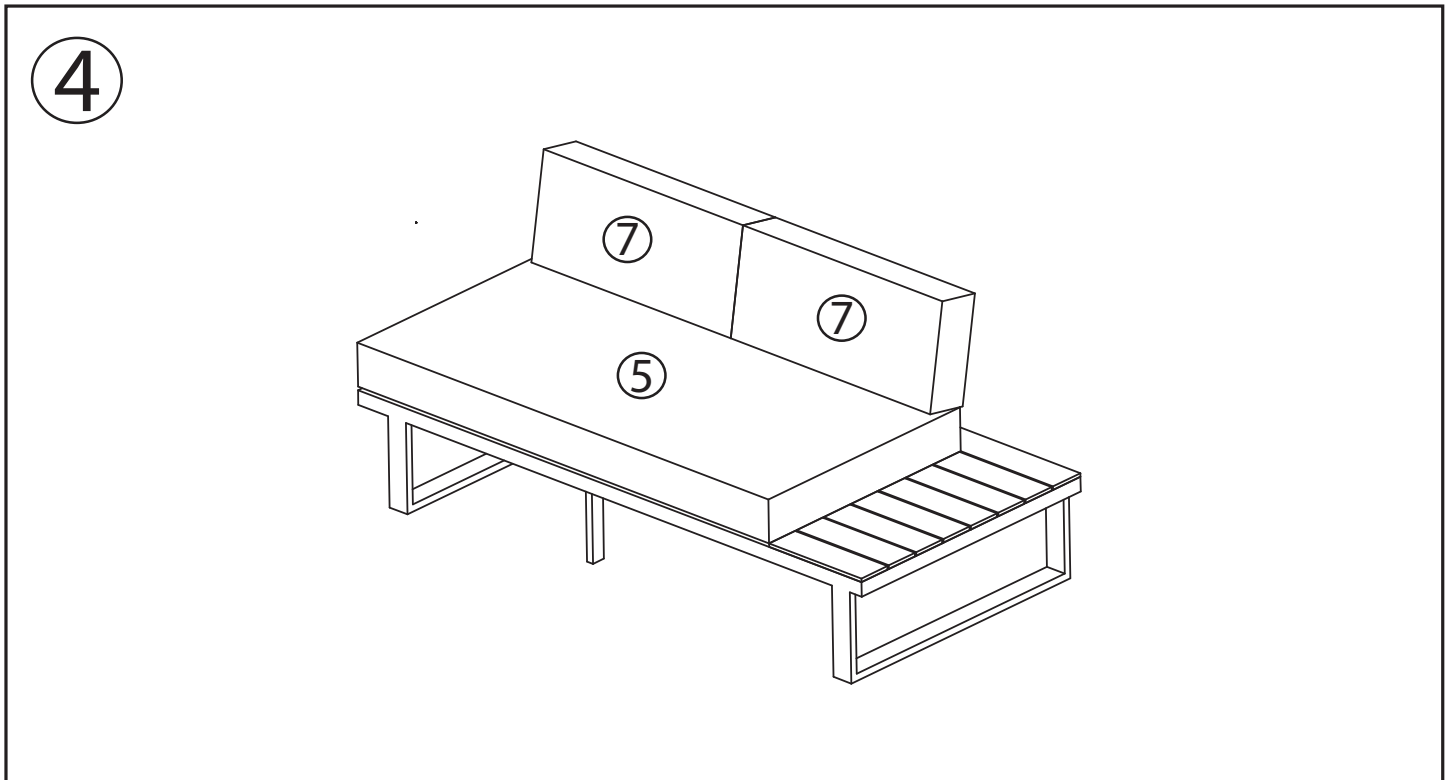
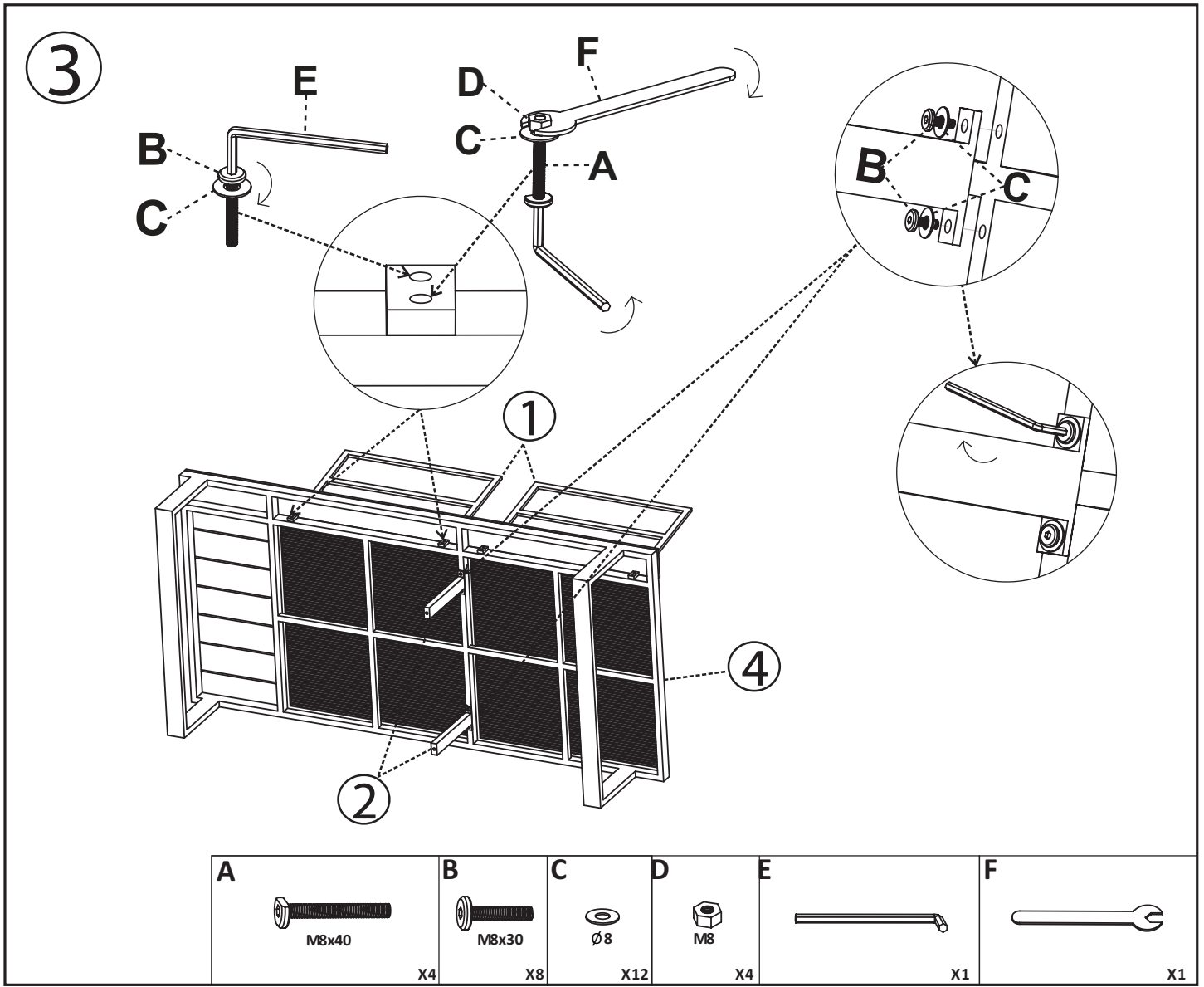
⑧ x1



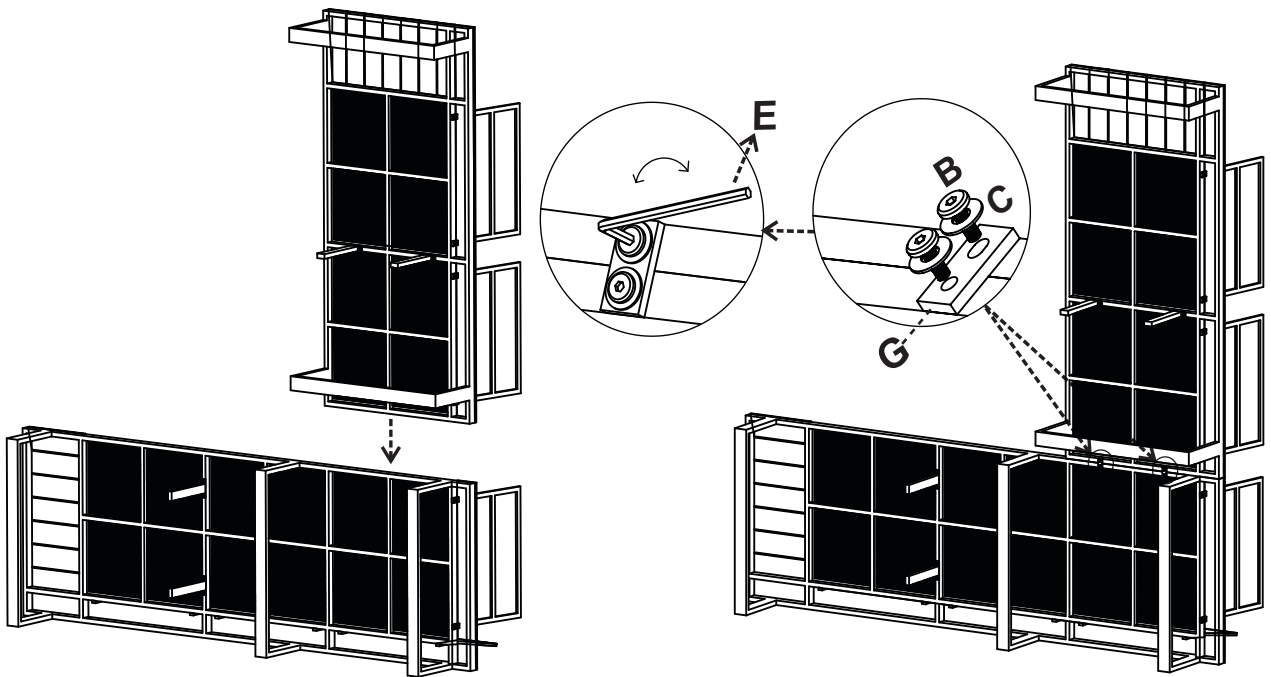
⑨ x1





<p>A</p>  <p>M8x40</p> <p>X12</p>	<p>B</p>  <p>M8x30</p> <p>X12</p>	<p>C</p>  <p>Ø8</p> <p>X32</p>	<p>D</p>  <p>M8</p> <p>X12</p>	<p>E</p>  <p>X2</p>	<p>F</p>  <p>X 2</p>	<p>G</p>  <p>X2</p>
---	---	--	--	---	--	---





5



B  M8x30 X4	C  Ø8 X4	E  X1	G  X2
--	---	---	---

6

