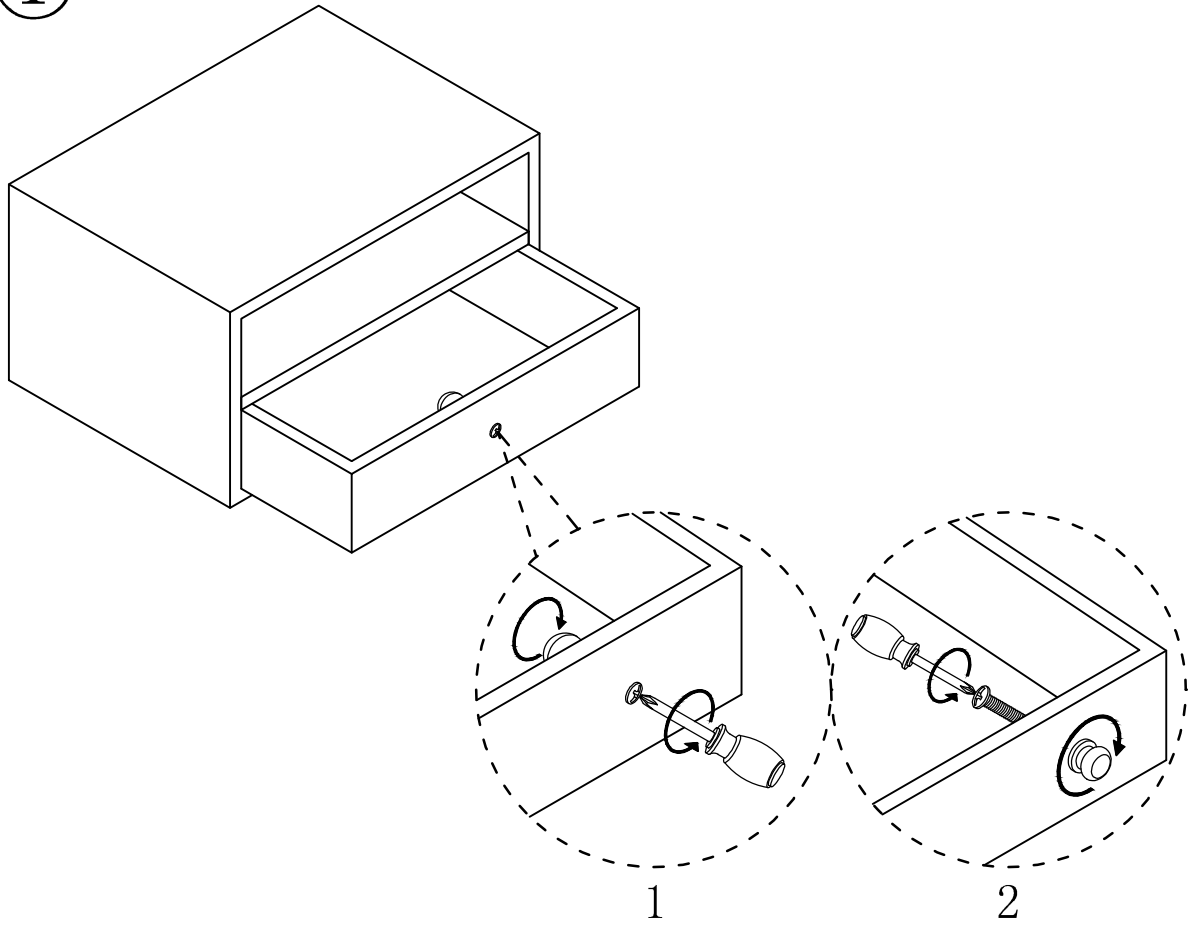
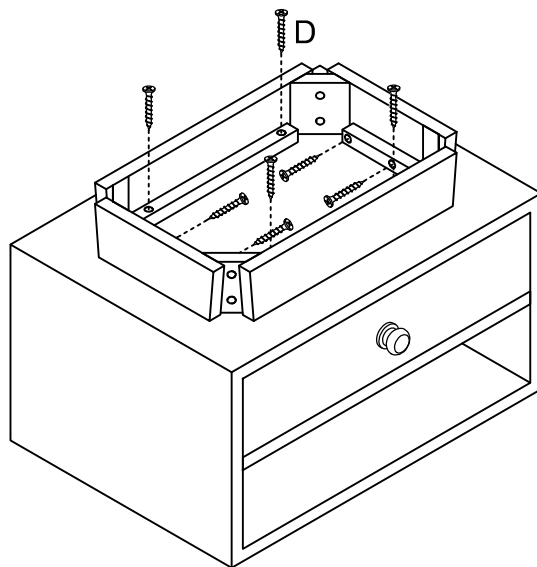


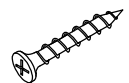
1



2

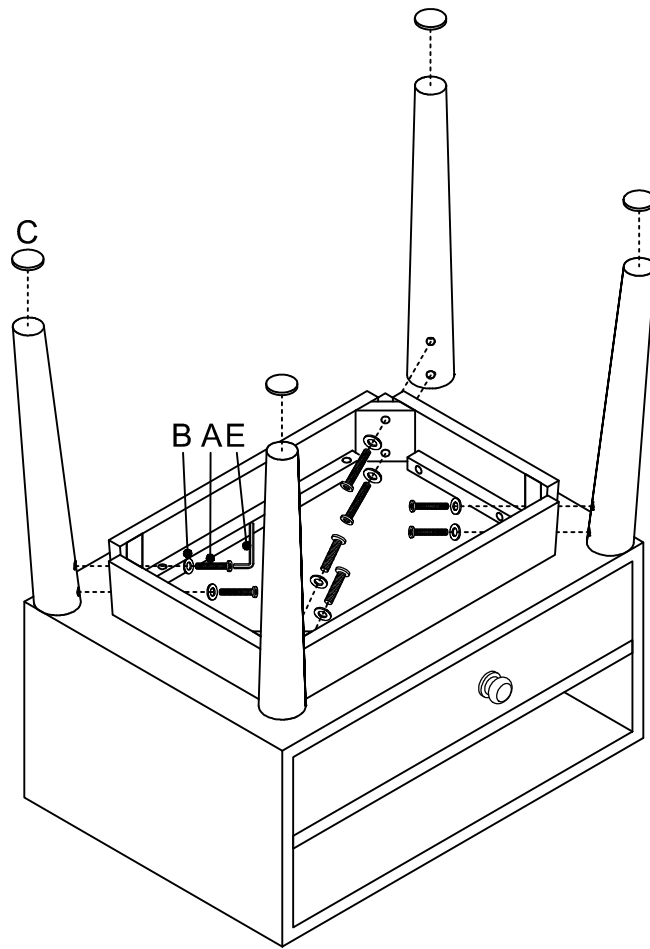


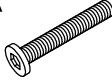



D



ØM4X30 X8

3



<p>A</p>  <p>ØM6*35 X8</p>	<p>B</p>  <p>ØM6 X8</p>	<p>C</p>  <p>X4</p>	<p>E</p>  <p>X1</p>
---	---	--	--