

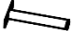











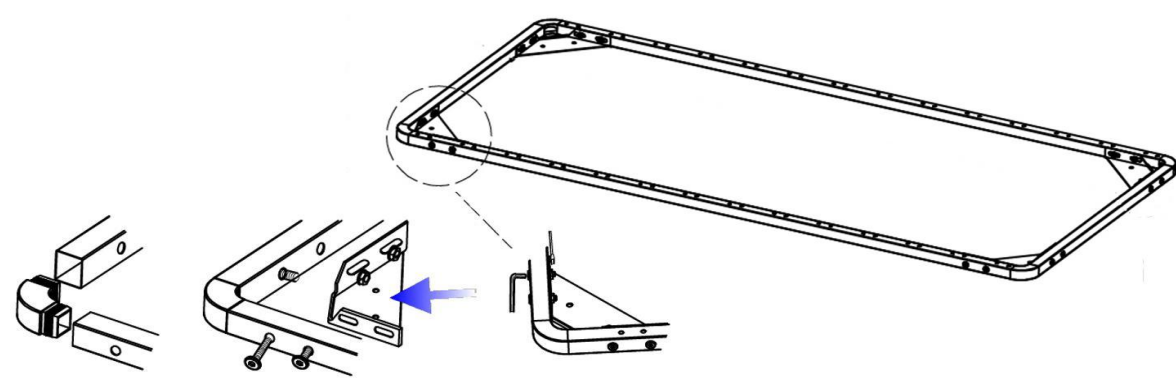

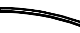
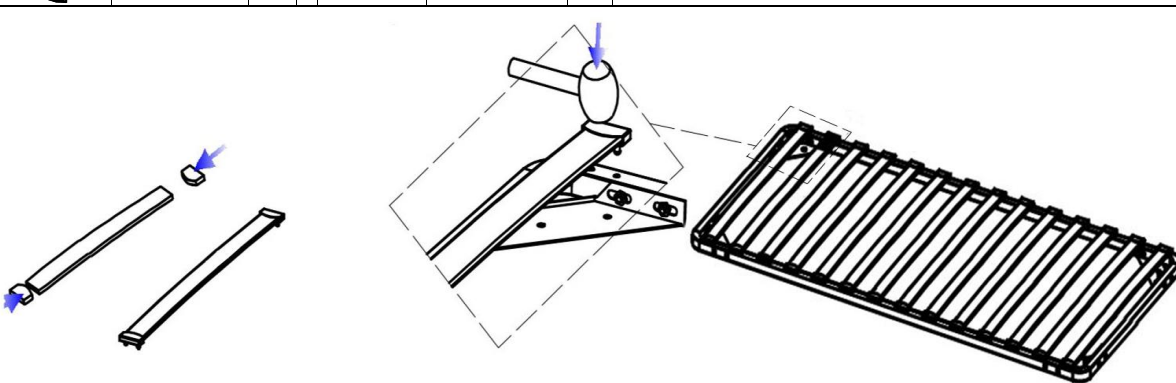






A		Vis M8 long. 40mm	20 pcs	D		Equerre en métal	4 pcs	G		Pied	6 pcs	J		Vis M8 long. 16mm	8 pcs
B		Ecrou	28 pcs	E		Support de lattes	28 pcs	H		Clé en L	1 pc				
C		Coin plastique	4 pcs	F		Lattes	14 pcs	I		Clé plate	1 pc				

INSTRUCTIONS D'ASSEMBLAGE

E T A P E	1	A		Vis M8 long. 40mm	16 pcs	B		Ecrou	16 pcs	C		Coin plastique	4 pcs	D		Equerre en métal	4 pcs
																	

E T A P E	2	E		Support de latte latéral	28 pcs	F		Latte	14 pcs							
																

E T A P E	3	A		Vis M8 long. 40mm	4 pcs	B		Ecrou	12 pcs	J		Vis M8 long. 16mm	8 pcs	G		Pied	6 pcs
		